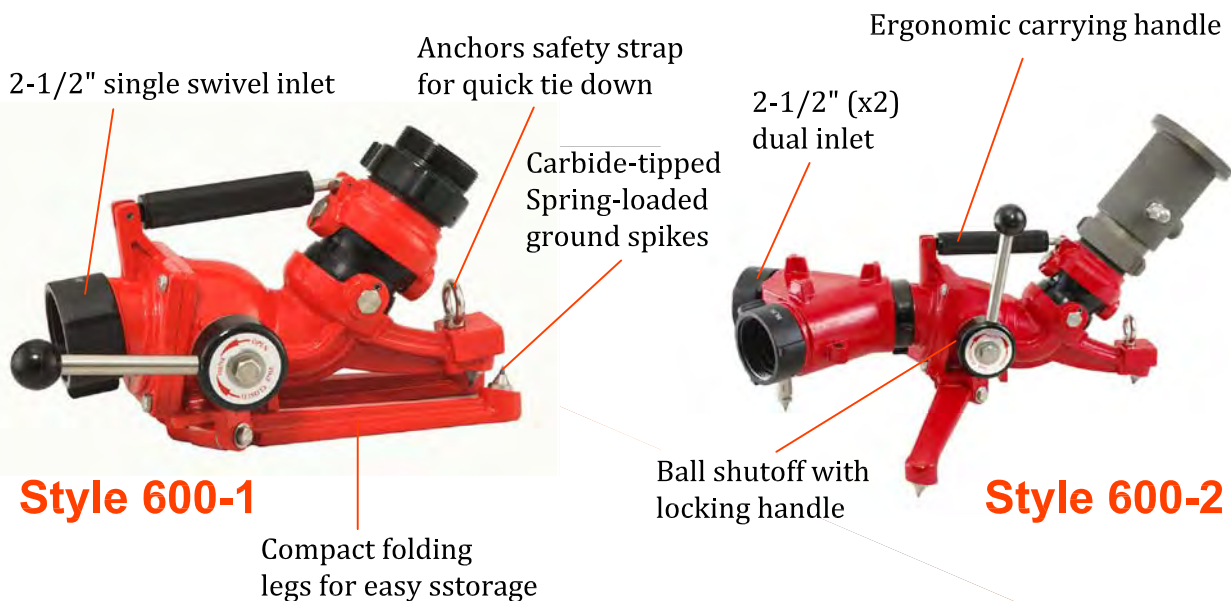


Portable Ground Monitors

Style 600-1 & 600-2

- Highly manoeuvrable, operating like handline nozzles while delivering much more water
- Compact and lightweight with a low-profile design for stable operation
- Simple to set up for quick attack operations, and can be left unmanned at the fire scene to conserve manpower
- Flow rate of up to 500 GPM (1900 LPM)
- Horizontal rotation is adjustable 20° each side of centre
- Elevation is adjustable from 30° to 60° unmanned and down to 20° when manned
- Monitor body is constructed in hardcoat anodized aluminium with tough powder coating
- Ball shutoff with locking handle
- Carbide-tipped spikes at the base is resistant to long-term wear and provide excellent ground stability
- Large handle for excellent portability



600-1 Single-Inlet Portable Ground Monitor

600-2 Dual-Inlet Portable Ground Monitor

Portable Ground Monitors

Style 600-1 & 600-2

Features :

- Flow rate of up to 500 GPM (1900 LPM)
- Horizontal rotation is adjustable 20° each side of centre
- Elevation is adjustable from 30° to 60° unmanned and down to 20° when manned
- Ball shutoff with locking handle
- Carbide-tipped spikes at the base is resistant to long-term wear and provide excellent ground stability
- Large handle for excellent portability

Compatible with a wide range of Protek nozzles and accessories



Style 117



Style 118



Style 375-T0



Style 822



Style 824



Style 119



Style 196



Style 600+196

Specification

		Style 600-1	Style 600-2
Max. GPM (LPM)		500 (1900)	500 (1900)
Inlet	Size	2-1/2"	2-1/2" (x2)
	Type	Female Thread	Female Thread
Outlet		2-1/2"	2-1/2"
Control		Manual	Manual
Material		Alloy	Alloy
Finish		Red Powder Coating	Red Powder Coating
Friction Loss		10 psi at 500 gpm	10 psi at 500 gpm
		6 psi at 350 gpm	6 psi at 350 gpm
Travel	Vertical	30°-60° (unmanned)	30°-60° (unmanned)
		Down to 20° (manned)	Down to 20° (manned)
	Horizontal	20°	20°
		Either Side	Either Side
Weight		14 lbs. (7 kg)	22 lbs. (10 kg)



Dual-Purpose Ground Monitors



Style 622-1, 622-2, 622-3

Unique Features of Protek Ground Monitors

Style 622-1 and 622-2 monitor shown with Style 847 nozzle



Carbide-tipped spike for extended wear resistance



Dual-Purpose Ground Monitors



Style 622-1, 622-2, 622-3

- Suitable for use as a portable monitor or a deck gun with features to meet the changing demands of the fire service
- Full 3" waterway for flow rate of up to 1250 GPM (4800 LPM)
- Full 360° rotation in the deck model (Style 622-3), 180° in the portable models (Style 622-1, 622-2)
- Vertical travel of 63° from 12° to 75° above with inbuilt 37° safety stop from 18° to 55° above
- Compact folding base can be stored in any truck compartment or pre-connected in the hose bed
- Carbide-tipped spikes for extended resistance to wear
- Large handle for excellent portability
- Fully enclosed worm gear is protected from the elements
- Available in portable (Style 622-1 and 622-2) or deck-mount (Style 622-3)
- Compatible with a wide range of Protek nozzles and accessories

		Style 622-1	Style 622-2	Style 622-3		
Max. GPM(LPM)		1000 (3800) *	800 (3030)	1250 (4800)		
Inlet	Size	2-1/2" to 5"	2-1/2" (x2)	3"	4"	3"
	Type	Thread	Thread	Flange	Flange	Thread
Outlet		2-1/2"	2-1/2"	2-1/2"		
Control		Single Hand-Wheel	Single Hand-Wheel	Single Hand-Wheel		
Material		Alloy	Alloy	Alloy		
Finish		Red Powder Coating	Red Powder Coating	Red Powder Coating		
Friction Loss		18 psi at 1000 gpm	15 psi at 800 gpm	24 psi at 1250 gpm		
		12 psi at 700 gpm	12 psi at 700 gpm	18 psi at 1000 gpm		
Travel		12 to 75° Vertical	12 to 75° Vertical	12 to 75° Vertical		
		180° Rotation	180° Rotation	360° Rotation		
Weight		32 lbs.	32 lbs.	27 lbs.		

* Maximum flow rate is subject to selection of inlet size

Compatible Products

Style 622-3



Style 656
The pipe



Style 656 shown with
Style 622 monitor liftoff



Style 120
Quad Stacked Tips



Style 190
Direct Mount Flange



Style 119
Stream Shaper



Style 847
Monitor Nozzle



Style 887
Self-Educing Nozzle
(500 GPM)



Style 888
Self-Educing Nozzle
(750 GPM)

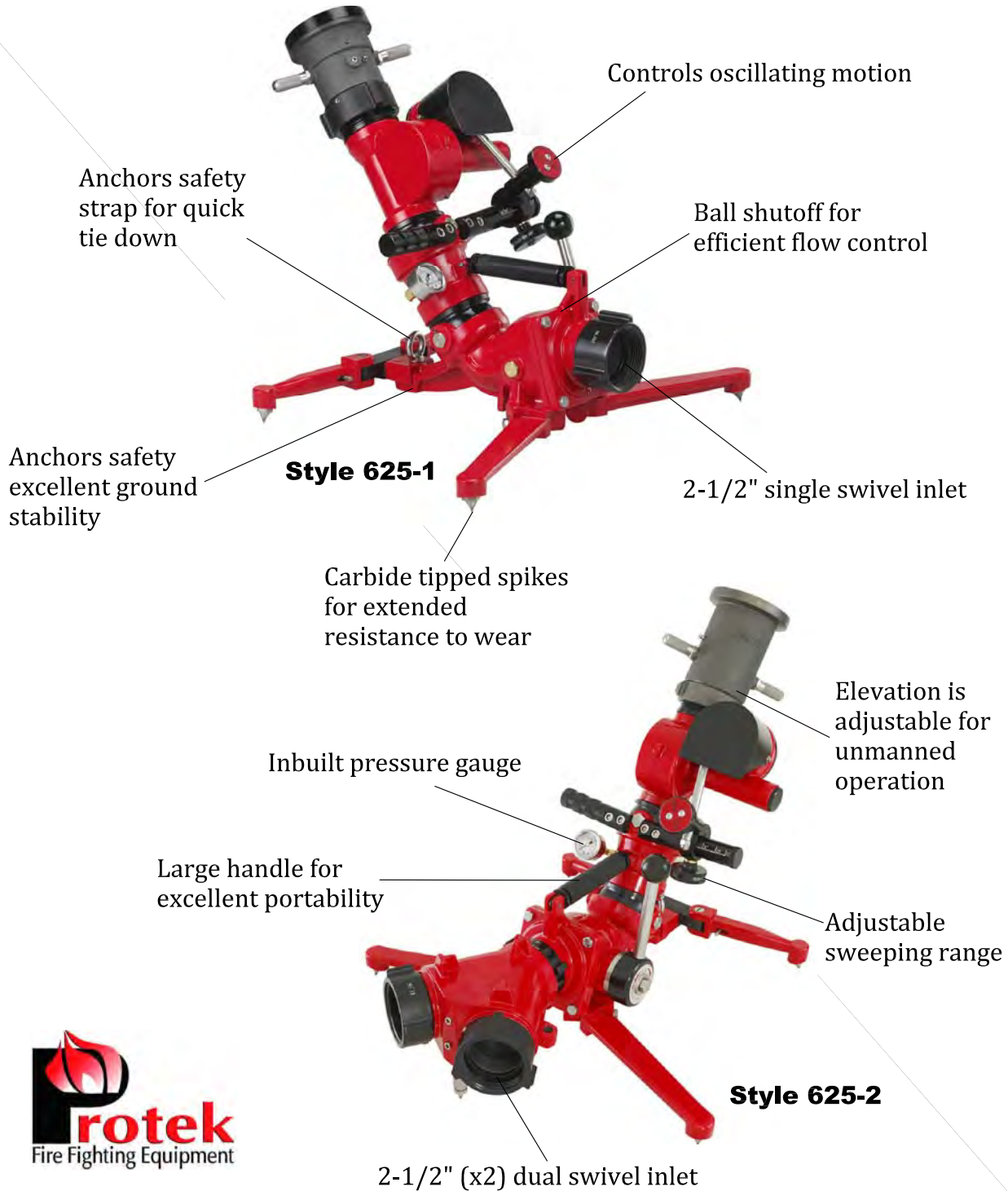


sales @protekfire.com.tw • www.protekfire.com.tw

Portable Oscillating Ground Monitors

Style 625-1 & 625-2

Style 625-1 monitor shown with Style 824 nozzle
Style 625-2 monitor shown with Style 822 nozzle



Portable Oscillating Ground Monitors

Style 625-1 & 625-2

- Produces effective sweeping water stream, designed for attack, cooling, protection and hazmat situations
- Powered by a water-driven turbine that sweeps the outlet back and forth in a smooth and powerful motion while unmanned
- As these monitors can be left unmanned, resources can be conserved for deployment in other areas
- The water-driven turbine induces the nozzle to oscillate at adjustable 12.5°, 15°, 20° or 25° either side of the center
- The on/off knob can be activated to stop oscillation at any point
- The oscillating mechanism can be disengaged to enable manual horizontal rotation
- Elevation is adjustable between 20° and 60° unmanned
- Carbide tipped spikes at the base is resistant to long-term wear and provide excellent ground stability
- Large handle for excellent portability
- Inbuilt pressure gauge
- Powder coating provides additional resistance to corrosion and wear
- Available in single-inlet (Style 625-1) or dual-inlet models (Style 625-1)

Oscillating Speed
(with straight bore tip)

Cycles Per Minute	Flow @100 PSI
8	175 GPM (660 LPM)
11	225 GPM (850 LPM)
22	350 GPM (1325 LPM)
25	500 GPM (1900 LPM)

Specification

	Style 625-1	Style 625-2
Max. GPM (LPM)	500 (1900)	500 (1900)
Inlet	Size	2-1/2"
	Type	Female Thread
Outlet	2-1/2"	2-1/2"
Control	Manual	Manual
Material	Alloy	Alloy
Finish	Red Powder Coating	Red Powder Coating
Travel	40° Vertical	40° Vertical
Oscillating Degree	12.5°, 15°, 20°, 25°	12.5°, 15°, 20°, 25°
	Either Side	Either Side
Min. Oscillating Pressure	50 psi (3.5 bar)	50 psi (3.5 bar)
Weight	28 lbs. (13 kg)	35 lbs. (16 kg)

