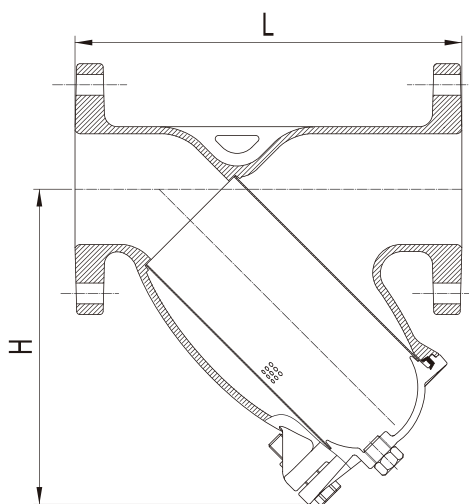


Model No. YGL4



| Name of parts | Material     |
|---------------|--------------|
| Body          | Ductile iron |
| Cover         | Ductile iron |
| Gasket        | EPDM         |
| Screen        | SS304        |
| Plug          | Bronze       |



16

**Technical data** >

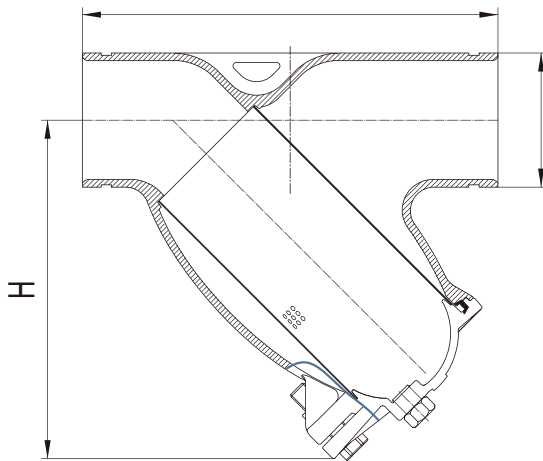
- Sizes: 2"~12"
- Working pressure: 300psi
- Flange standard: ASME-B16.1 Class125
- Temperature range: 0 ~ 80 C

| Dimensions |      | Pressure rating | Size (mm) |     |     |
|------------|------|-----------------|-----------|-----|-----|
| DN         | inch |                 | psi       | ΦD  | L   |
| 50         | 2    | 300             | 152       | 230 | 154 |
| 65         | 2.5  | 300             | 178       | 290 | 201 |
| 80         | 3    | 300             | 191       | 310 | 210 |
| 100        | 4    | 300             | 229       | 350 | 269 |
| 125        | 5    | 300             | 254       | 400 | 320 |
| 150        | 6    | 300             | 279       | 480 | 357 |
| 200        | 8    | 300             | 343       | 550 | 442 |
| 250        | 10   | 300             | 406       | 650 | 525 |
| 300        | 12   | 300             | 483       | 750 | 620 |

Model No. YGL8



| Name of parts | Material     |
|---------------|--------------|
| Body          | Ductile iron |
| Cover         | Ductile iron |
| Gasket        | EPDM         |
| Screen        | SS304        |
| Plug          | Bronze       |



**Technical data >**

- Sizes: 2"~8"
- Working pressure: 362psi
- Grooved standard: AWWA C606
- Temperature range: 0 ~ 80 C

| Dimensions |      | Pressure rating | Size (mm) |     |      |
|------------|------|-----------------|-----------|-----|------|
| DN         | inch |                 | psi       | OD  | L    |
| 50         | 2    | 362             | 60.3      | 230 | 154  |
| 65         | 2.5  |                 | 73        |     |      |
|            |      | 76.1            | 290       | 201 |      |
| 80         | 3    | 362             |           |     | 88.9 |
| 100        | 4    | 362             | 114.3     | 350 | 269  |
| 125        | 5    | 362             | 139.7     | 400 | 320  |
|            |      |                 | 141.3     |     |      |
| 150        | 6    | 362             | 165.1     | 480 | 357  |
|            |      |                 | 168.3     |     |      |
| 200        | 8    | 362             | 219.1     | 550 | 442  |