

FIRE HOSE REEL



SRI fire hose reels are tested and approved to European Standard EN671 by British Standards Institution and to Australian Standards AS1221 by QAS Australia. These approvals require the certification authority to carry out regular inspection of our hose reels manufacturing facility, testing of hose reels and auditing of quality system. With rigorous inspection and testing of our fire hose reels during production the

performance and reliability is at the highest standard. SRI manufactures a wide selection of fire hose reel, 3/4" and 1", swing and fixed type, manual and automatic. Swing type hose reel has double 180° rotating hinge, which allows hose reel to be mounted in a recessed wall and fixed type hose reel is complete with hose guide which allows the hose withdrawal in all directions.

Features

- Side Plate powder painted finish red
- Automatic hose reel has integrated automatic stop valve which will open after 2 revolution of the reel
- Threaded Inlet connection
- Outlet connection for hose can be rotated for left and right direction
- Waterways made from non ferrous metals which ensure corrosion free*
- Maximum working pressure 15Bar, test pressure 20bar
- Side plate available in stainless steel

*(EN671 Approved models)

Code No.	A	Hose Diameter x Length	B	Type
HRS038-MS-022-RD	22"(559mm)	25mm x 30m	350mm	Swing Manual
HRS038-MS-722-RD	22"(559mm)	25mm x 30m	290mm	Swing Manual
HRS038-MS-019-RD	19"(483mm)	25mm x 30m	350mm	Swing Manual
HRS037-MS-019-RD	19"(483mm)	19mm x 30m	350mm	Swing Manual
HRS037-MS-022-RD	22"(559mm)	19mm x 30m	350mm	Swing Manual
HRS036-MS-022-RD	22"(559mm)	25mm x 30m	310mm	Fixed Manual
HRS036-MS-722-RD	22"(559mm)	25mm x 30m	240mm	Fixed Manual
HRS036-MS-019-RD	19"(483mm)	25mm x 30m	310mm	Fixed Manual
HRS035-MS-019-RD	19"(483mm)	19mm x 30m	310mm	Fixed Manual
HRS035-MS-022-RD	22"(559mm)	19mm x 30m	310mm	Fixed Manual
HRS061-MS-722-RD	22"(559mm)	25mm x 30m	290mm	Swing Automatic
HRS060-MS-719-RD	19"(483mm)	19mm x 30m	290mm	Swing Automatic
HRS056-MS-722-RD	22"(559mm)	25mm x 30m	240mm	Fixed Automatic
HRS055-MS-719-RD	19"(483mm)	19mm x 30m	240mm	Fixed Automatic

SIRIM, PSB APPROVED BS EN671-1

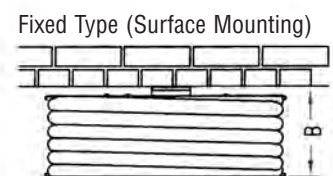
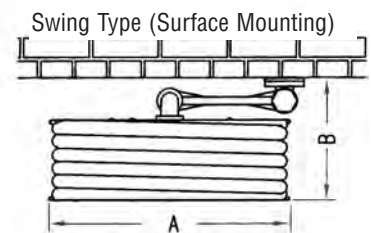
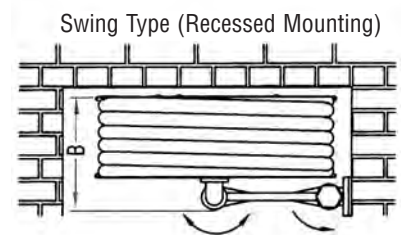
HRS038-SS-022-RD	22"(559mm)	25mm x 30m	350mm	Swing Manual
------------------	------------	------------	-------	--------------

BSI APPROVED BS EN671-1

HRS033-SS-022-RD	22"(559mm)	25mm x 30m	290mm	Swing Manual
HRS034-SS-022-RD	22"(559mm)	19mm x 30m	290mm	Swing Manual
HRS031-SS-022-RD	22"(559mm)	25mm x 30m	240mm	Fixed Manual
HRS032-SS-022-RD	22"(559mm)	19mm x 30m	240mm	Fixed Manual
HRS029-SS-022-RD	22"(559mm)	25mm x 30m	290mm	Swing Automatic
HRS030-SS-022-RD	22"(559mm)	19mm x 30m	290mm	Swing Automatic
HRS027-SS-022-RD	22"(559mm)	25mm x 30m	240mm	Fixed Automatic
HRS028-SS-022-RD	22"(559mm)	19mm x 30m	240mm	Fixed Automatic

AS APPROVED TO AS1221

HRS035-GI-019-RD	19"(483mm)	19mm x 36m	310mm	Fixed Manual
HRS037-GI-019-RD	19"(483mm)	19mm x 36m	350mm	Swing Manual
HRS154-MS-600-RD	600mm	19mm x 36m	210mm	Fixed Manual



EUROPEAN FIRE HOSE REEL



BRITISH STANDARDS INSTITUTION
APPROVAL FIRE HOSE REELS



CERTIFIED TO BS EN 671
LICENCE NO. KM 51857



European fire hose reel

The SRI Euro fire hose reels has been tested and approved to EN671 by British Standards Institution. This range for fire hose reel has a slimmer design which can fit into smaller depth. For swing hose reel the inlet of the hose reel is fitted with a flexible hose and coupling for connection to the control valve for water supply.

Features

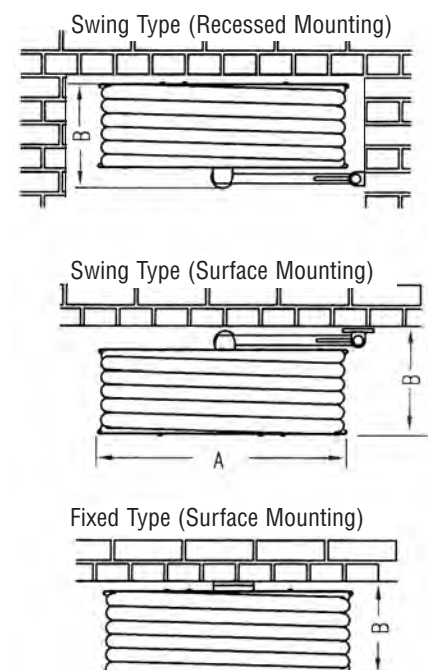
- Side Plate powder painted finish red
- Outlet connection for hose can be rotated for left and right
- Connection to water supply with a flexible hose and coupling
- Waterways made from brass and nylon which ensure corrosion resistance
- Maximum working pressure 15bar, test pressure 20bar
- Outlet connection for hose can be rotated for left and right
- Side plate and swing arm available in stainless steel
- Available with high flow rate model, 10mm equivalent diameter, 102LPM @ 6bar inlet.
- 25mm x 30m Swing Hose reel can fit into cabinet of 220mm depth

Code No.	A	Hose Diameter x Length	B	Type
HRS072-MS-660-RD	660mm	25mm x 40m	230mm	Swing Manual
HRS072-MS-600-RD	600mm	25mm x 35m	230mm	Swing Manual
HRS072-MS-M22-RD	559mm	25mm x 30m	230mm	Swing Manual
HRS073-MS-600-RD	600mm	25mm x 30m	200mm	Swing Manual
HRS073-MS-M22-RD	559mm	25mm x 25m	200mm	Swing Manual
HRS079-MS-600-RD	600mm	25mm x 20m	160mm	Swing Manual
HRS076-MS-660-RD	660mm	25mm x 30m	190mm	Swing Manual

HRS150-MS-600-RD	600mm	25mm x 30m	210mm	Fixed Manual
HRS150-MS-022-RD	559mm	25mm x 25m	210mm	Fixed Manual
HRS151-MS-600-RD	600mm	25mm x 20m	170mm	Fixed Manual

HRS080-MS-600-RD	600mm	19mm x 40m	200mm	Swing Manual
HRS089-MS-600-RD	600mm	19mm x 30m	160mm	Swing Manual
HRS089-MS-022-RD	559mm	19mm x 25m	160mm	Swing Manual
HRS152-MS-600-RD	600mm	19mm x 30m	170mm	Fixed Manual
HRS074-MS-022-RD	559mm	19mm x 25m	170mm	Fixed Manual

HRS078-MS-022-RD	559mm	25mm x 30m	230mm	Swing Automatic
HRS077-MS-660-RD	660mm	25mm x 30m	190mm	Swing Automatic

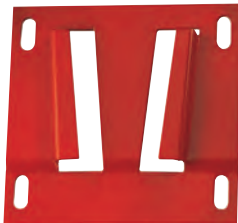




HOSE GUIDE

Hose guide is used to ease the withdrawal of hose from fixed hose reels.

Code No.	Description	Material
HRS052-PS-STD-RD	Wall mounting	Red Plastic
HRS052-MS-STD-ZP	Wall mounting	Steel / Nylon Roller
HRS052-LA-STD-NA	Mounting at inlet pipe	Steel / Nylon Roller



HOSE REEL WALL BRACKET

The wall bracket allows the hose reel swing or fixed to be easily installed within a short time. The wall bracket is first fixed on to the wall or mounting structure and then the hose reel is slotted into the bracket. The wall bracket also allows minor adjustments of the hose reel height thereby easing the connection of the inlet pipe. The wall bracket allows the hose reel to be installed by one person within a few minutes.

Code No.	Description	Material
HRP-057-MS	Swing hose reel	Mild Steel
HRP-060-MS	Fixed hose reel	Mild Steel

NOZZLE

SRI hose reel nozzles are designed, tested and approved to meet European Standard EN671-1 and Australian Standard AS 1221.

Nylon and ABS material complies to ageing test in accordance to ISO4892-2.2.

Throw range position at 0.6M 30± inclination, in accordance to EN671-1 Clause 10.4

Flowrate meets the equivalent nozzle diameter of 6mm in accordance to EN671-1.

Code No.	Setting	Material	Finishing	Inlet Size	Flowrate @ 30Psi (28 Bar)	Throwrange @ 30Psi
HRS065-GM-020-RD	Jet / Spray	Nylon/Brass	Red	3/4" (19 mm)	27L/MIN (JET)	11.5M
HRS065-GM-025-RD	Jet / Spray	Nylon/Brass	Red	1" (25 mm)	35L/MIN (JET)	11.5M
HRS057-PS-020-RD	Jet / Spray	Nylon	Red	3/4" (19 mm)	27L/MIN (JET)	11.0M
HRS057-PS-025-RD	Jet / Spray	Nylon	Red	1" (25 mm)	35L/MIN (JET)	11.0M
HRS032-PS-020-RD	Jet / Spray	ABS/Brass	Red	3/4" (19 mm)	27L/MIN (JET)	11.0M
HRS032-PS-025-RD	Jet / Spray	ABS/Brass	Red	1" (25 mm)	35L/MIN (JET)	11.0M
HRS032-PS-020-CH	Jet / Spray	ABS/Brass	Chrome	3/4" (19 mm)	27L/MIN (JET)	11.0M
HRS032-PS-025-CH	Jet / Spray	ABS/Brass	Chrome	1" (25 mm)	35L/MIN (JET)	11.0M
HRS039-GM-020-NA	Jet / Spray	Brass	Natural	3/4" (19 mm)	27L/MIN (JET)	11.0M
HRS039-GM-025-NA	Jet / Spray	Brass	Natural	1" (25 mm)	35L/MIN (JET)	11.0M
HRS039-GM-020-CH	Jet / Spray	Brass	Chrome	3/4" (19 mm)	27L/MIN (JET)	11.0M
HRS039-GM-025-CH	Jet / Spray	Brass	Chrome	1" (25 mm)	32L/MIN (JET)	11.0M
HRS050-GM-020-CH	Jet	Brass	Chrome	3/4" (19 mm)	27L/MIN	11.0M
HRS050-GM-025-CH	Jet	Brass	Chrome	1" (25 mm)	32L/MIN	11.0M



PRESSURE REDUCING VALVE

Pressure reducing valve is required for the hose reel system to reduce the pressure at the inlet of the hose reel to the nominal working pressure.

Code No.	Size	Working Pressure	Material
HRS063-GM-025-RD	25mm (1")	Max. inlet pressure up to 20 bar	Bronze
HRS063-GM-050-RD	50mm (2")	Outlet pressure between 1 to 4 bar	Bronze



STOP VALVE WITH NOZZLE LOCKING DEVICE

As required by British Standard, stop valves should be installed at the inlet of all hose reels and it should have a feature to ensure that the nozzle can only be released after opening the valve. SRI has provided an ingenious solution with a quick opening ball valve and nozzle locking device.

Code No.	Description	Material	Working Pressure
HRS108-GM-025-NA	25mm (1") ball valve with nozzle locking device	Brass	250 psi
HRS107-GM-025-NA	25mm (1") ball valve	Brass	250 psi



HRS032-PS-020-CH
HRS032-PS-025-CH



HRS032-PS-020-RD
HRS032-PS-025-RD



HRS057-PS-020-RD
HRS057-PS-025-RD



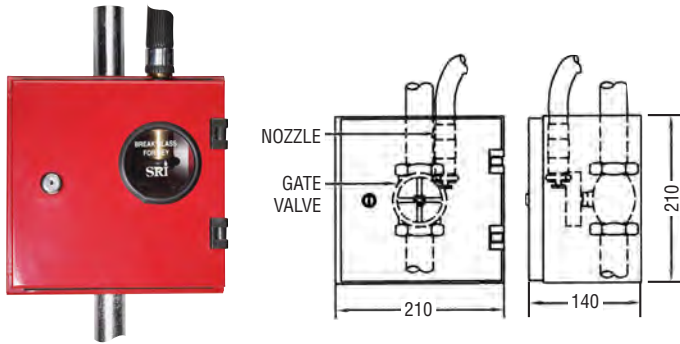
HRS050-GM-020-CH
HRS050-GM-025-CH



HRS039-GM-020-NA
HRS039-GM-025-NA

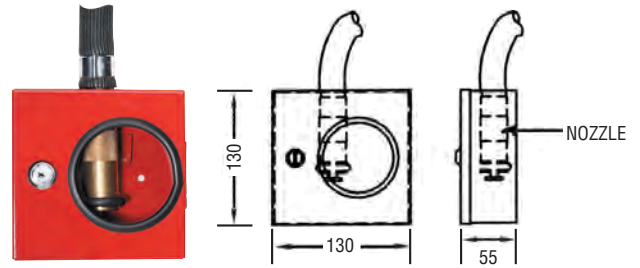


HRS065-GM-020-RD
HRS065-GM-025-RD



Nozzle Box Model A

TECHNICAL SPECIFICATION	
Model A	
Dimension	210mm (W) x 210mm (H) x 140mm (D)
Capacity	1 No Gate Valve and 1 No Nozzle
Thickness	0.9mm
Installation	Wall Mounted
Paint Finish	Epoxy Powder Red
Material	Mild Steel
Code No.	HRS071-MS-STD-RD



Nozzle Box Model B

TECHNICAL SPECIFICATION	
Model B	
Dimension	130mm (W) x 130mm (H) x 55mm (D)
Capacity	1 No Nozzle
Thickness	0.9mm
Installation	Wall Mounted
Paint Finish	Epoxy Powder Red
Material	Mild Steel
Code No.	HRS048-MS-STD-RD

HOSE (HOSE REEL)



SRI manufactures fire hose reel hose which has been tested by European, Australian and Malaysian laboratories to European Standard EN 694 and Australian Standard AS 1221.

Available in 3/4" and 1".

Standard coil length 30m, 36m or 100m.

Specification:

Working Pressure: 220Psi (15 Bar)

Minimum Burst Pressure: 696Psi (48 Bar)

Test Pressure: 250Psi

Code No.	Size	Colour
HRS041-30-25-BK	1" (25mm) x 30m	Black
HRS041-30-25-RD	1" (25mm) x 30m	Red
HRS041-30-20-BK	3/4" (19mm) x 30m	Black
HRS041-30-20-RD	3/4" (19mm) x 30m	Red



SINGAPORE APPROVAL
TO BS EN 671-1



CERTIFIED TO BS EN 671-1: 1995
Certification No: PS005704

BRITISH STANDARDS INSTITUTION
APPROVAL FIRE HOSE REELS



CERTIFIED TO BS EN 671
LICENCE NO. KM 51857



AUSTRALIAN
STANDARD
AS1221 LIC1355