



► HYDRANT

- DRY BARREL HYDRANT

These Hydrants are usually used in the areas with cold climate.

Dry barrel hydrants are designed and manufactured according to the AWWA-C502 standard and National Standard of Iran No.2481.



► TR-PH-D1



► TR-PH-D2



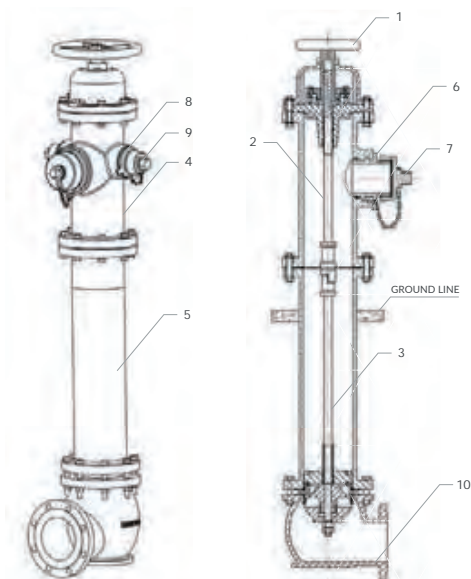
► TR-PH-D3



► TR-PH-D4

Desc	Model	TR-PH-D1	TR-PH-D2	TR-PH-D3	TR-PH-D4
Inlet Connection		4" , 6" , 8"	4" , 6"	2 1/2"	4"
Hose Nozzle (2 1/2") No.		2	2	1	2
Pumper Connection Size		4" , 4 1/2" , 5" , 5 1/2"	4" , 4 1/2" , 5" , 5 1/2"	-----	4"
Body Size		8"	6"	3"	4"
Body Material	Ductile Cast Iron / Gray Cast Iron				
Drain Valve Outlet Material	Bronze / Brass				

3



No.	Part Name	Code Number
1	Hand Wheel	PH-D2-01
2	Upper Rod	PH-D2-02
3	Lower Rod	PH-D2-03
4	Body	PH-D2-04
5	Adjustment Pipe	PH-D2-05
6	4" Pumper Nozzle	PH-D2-06
7	4" Pumper Nozzle Cap	PH-D2-07
8	2 1/2" Hose Nozzle	PH-D2-08
9	2 1/2" Hose Nozzle Cap	PH-D2-09
10	Elbow	PH-D2-10



▶ HYDRANT

- **W** BARREL HYDRANT

These types of Hydrants are usually used in the tropical areas. They are made according to AWWA-C503 standard. The Hydrants may have two, three or four outlets and their inlet connection size of can be 4" , 6" & 8".



▶ TR-PH-W1



▶ TR-PH-W1-M



▶ TR-PH-W2



▶ TR-PH-W2-M

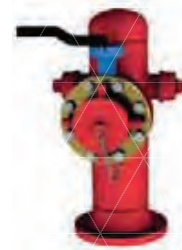
— Ductile Cast Iron / Bronze —



▶ TR-PH-W3



▶ TR-PH-W3-M



▶ TR-PH-W4



▶ TR-PH-W4-M

— Carbon Steel —



▶ TR-PH-W5



▶ TR-PH-W6



▶ TR-PH-W6-M



▶ TR-PH-W8



▶ TR-PH-W9



▶ TR-PH-W10

— Ductile Cast Iron / Bronze —



▶ TR-PH-W11

— Carbon Steel —

