

Fire Signalling



**klaxon**  
Signalling Solutions

# Introduction



## Introduction

Klaxon Signals manufactures the world's largest range of sound signalling equipment and solutions for the European and worldwide market place.

### Product Range

Klaxon's extensive product range includes: electronic sounders; voice enhanced sounders; sirens; beacons; bells; and buzzers. These products can be used in a variety of applications and are categorised within Klaxon's internal strategic business units: Fire; Industrial; Emergency Warning Systems. This brochure features products aimed at the fire alarm industry.

### UK and Worldwide Distribution Network

Klaxon's distribution network gives the benefit of experienced staff, both on a global and local basis, and are fully conversant with Klaxon's visual and sound signalling equipment.

### Commitment to quality and innovation

Working to ISO 9001, Klaxon's manufacturing team has the latest production, testing and demonstration facilities, including PCB design and anechoic chambers to ensure the highest possible standards of manufacture and product quality. A continued product development programme, complemented by rigorous quality checks, gives customers the most up to date product offering available in today's market.

## Product Approvals

Legislation plays a key part in keeping sounders and safety systems up to date. For example, the Construction Products Directive (CPD) requires that fire system components sold in Europe have to comply with the relevant part of EN54.

**“ Klaxon Signals is dedicated to continual third party testing and certification both in home and export markets. ”**

### Technical Manager

Klaxon Signals works alongside partner organisations and customers to ensure its products, and the installation of its products, are in line with LPCB, ISO9001, EN54, BS5839 and DDA requirements. Any organisation or individual wishing to discuss its, or Klaxon's, obligations regarding new legislation may contact Klaxon's technical team directly or visit [www.klaxonsignals.com](http://www.klaxonsignals.com)



## Sonos Sounder

Electronic sounder certified to EN54.

With the TimeSaver base, connections are made to the base during the initial wiring phase which results in faster and more reliable installation. The sounder head 'twists and clicks' into the base on commissioning, avoiding the wiring and connection problems associated with traditional sounders.

With a choice of 32 tones including all the major international standards, the Sonos Sounder has universal acceptance.

Deep base units have weatherproof protection to IP65 and can be used in all locations both indoors and outdoors.

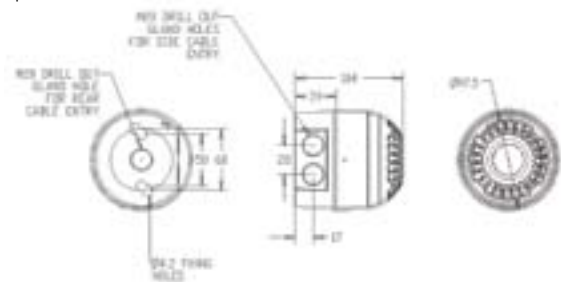
Sonos Sounder units are available in either red or white and with a choice of deep or shallow TimeSaver base.

### Features

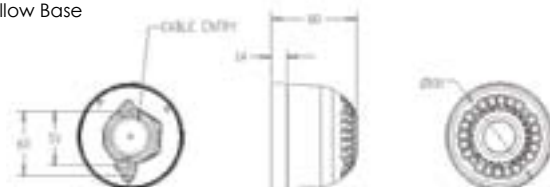
- Wide voltage range
- Simple 'First Fix' installation
- 2 Alarm stages
- 32 tones
- Tone and volume can be preset or adjusted off-base
- Weatherproof to IP65 (deep base units)
- Synchronised alarm tones
- Volume control - Typical 8dB



Deep Base



Shallow Base



## Specifications

Combined Part No.	Base Part No.	Head Part No.	Colours	Audibility at 1m	Tones	Voltage	Current (tone dependent)
PSS-0003	PSO-0001 shallow base	PSS-0084	Red	Up to 106dB (A)	32	9-60V DC	4-41mA
PSS-0039	PSO-0006 shallow base	PSS-0089	White	Up to 106dB (A)	32	9-60V DC	4-41mA
PSS-0020	PSO-0003 deep base	PSS-0084	Red	Up to 106dB (A)	32	9-60V DC	4-41mA
PSS-0050	PSO-0007 deep base	PSS-0089	White	Up to 106dB (A)	32	9-60V DC	4-41mA

**IP Rating:** IP65 (deep base) IP21 (shallow base) **Operating Temp:** -25°C to +70°C **Construction:** Flame Retardant Polycarbonate

**Cable Entries:** Deep Base: 2 x 20mm cable glands **Weight:** 0.22kg (shallow base) 0.25kg (deep base)

**Compliance:** EN54 3 Type A (shallow base) EN54-3 Type B (deep base)

# Sounders & Beacons

## Sonos Beacon

Beacon with the TimeSaver base, connections are made to the base during the initial wiring phase which results in faster and more reliable installation. The beacon head 'twists and clicks' into the base on commissioning, avoiding the wiring and connection problems associated with traditional alarm devices.

Deep base units have weatherproof protection to IP65 and can be used in all locations both indoors and outdoors. The Sonos Beacon utilises a full faced, translucent case which provides a much larger lens area and a greater spread of light.

Sonos Beacon units have a deep or shallow red colour base as standard and are available with a red or amber lens.

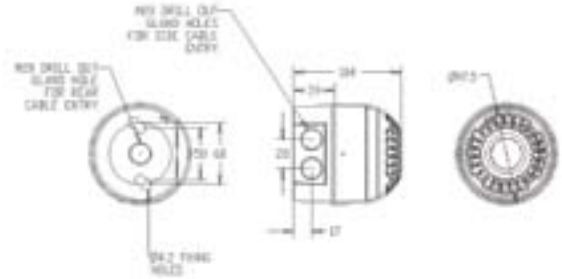
### Features

- 2J Xenon beacon or high efficiency LED beacon
- Simple 'First Fix' installation (no second fix wiring)
- Weatherproof to IP65 (deep base units)
- Synchronised flash
- White base option

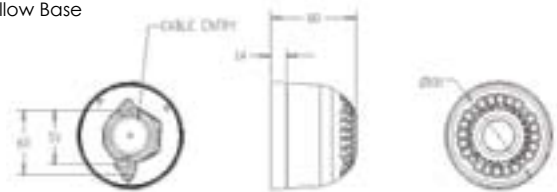
### Lens Colour Options



Deep Base



Shallow Base



## Specifications

Part No.	Base	Colours	Light Source	Voltage	Current
PSB-0009	Red shallow base	Red lens	LED	17-60V DC	5mA
PSB-0017	Red deep base	Red lens	LED	17-60V DC	5mA
PSB-0026	Red shallow base	Amber lens	LED	17-60V DC	5mA
PSB-0031	Red deep base	Amber lens	LED	17-60V DC	5mA
PSB-0042	White shallow base	Clear lens, Red LED	LED	17-60V DC	5mA
PSB-0045	White deep base	Clear lens, Red LED	LED	17-60V DC	5mA
PSB-0065	Red shallow base	Red lens	2J Xenon	10-60V DC	130 mA @ 24V DC
PSB-0062	Red deep base	Red lens	2J Xenon	10-60V DC	130 mA @ 24V DC
PSB-0090	Red shallow base	Amber lens	2J Xenon	10-60V DC	130 mA @ 24V DC
PSB-0064	Red deep base	Amber lens	2J Xenon	10-60V DC	130 mA @ 24V DC
PSB-0068	Red shallow base	Clear lens	2J Xenon	10-60V DC	130 mA @ 24V DC
PSB-0091	Red deep base	Clear lens	2J Xenon	10-60V DC	130 mA @ 24V DC
PSB-0107	Red shallow base	Blue Lens	2J Xenon	10-60V DC	130 mA @ 24V DC
PSB-0063	Red deep base	Blue Lens	2J Xenon	10-60V DC	130 mA @ 24V DC
PSB-0109	Red shallow base	Green Lens	2J Xenon	10-60V DC	130 mA @ 24V DC
PSB-0108	Red deep base	Green Lens	2J Xenon	10-60V DC	130 mA @ 24V DC

**IP Rating:** IP65 (deep base) IP21 (shallow base) **Operating Temp:** -25°C to +70°C (LED) -25°C to +55°C (Xenon)

**Construction:** Flame retardant polycarbonate **Cable Entries:** 2 x 20mm cable glands (deep base) **Weight:** 0.22kg (shallow base) 0.25kg (deep base)

## Sonos Sounder Beacon

Electronic sounder beacon certified to EN54.

With the TimeSaver base, connections are made to the base during the initial wiring phase which results in faster and more reliable installation. The sounder head 'twists and clicks' into the base on commissioning, avoiding the wiring and connection problems associated with traditional sounders.

With a choice of 32 tones including all the major international standards, the Sonos Sounder Beacon has universal acceptance.

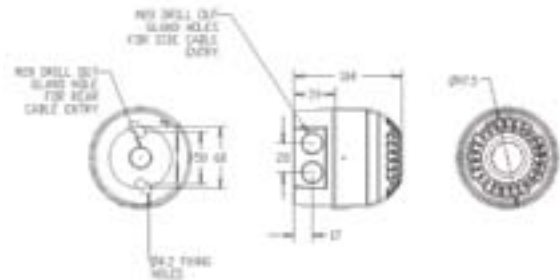
### Features

- Low current LED beacon
- Simple 'First Fix' installation
- Weatherproof to IP65 (deep base units)
- Choice of lens colours
- Sounder and beacon can be controlled separately
- Tone and volume can be preset or adjusted off-base - 20dB

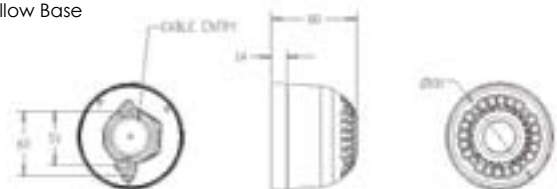
### Lens Colour Options



Deep Base



Shallow Base



## Specifications

Combined Part No.	Base Part No.	Head Part No.	Audibility at 1m	Tones	Voltage	Sounder Current
PSC-0047	PSO-0001 Red shallow base	PSC-0045 Red lens	Up to 106dB (A)	32	17-60V DC	9-50mA
PSC-0050	PSO-0001 Red shallow base	PSC-0054 Amber lens	Up to 106dB (A)	32	17-60V DC	9-50mA
PSC-0042	PSO-0003 Red deep base	PSC-0045 Red lens	Up to 106dB (A)	32	17-60V DC	9-50mA
PSC-0049	PSO-0003 Red deep base	PSC-0054 Amber lens	Up to 106dB (A)	32	17-60V DC	9-50mA
PSC-0059	PSO-0007 White deep base	PSC-0051 Clear lens, Red LED	Up to 106dB (A)	32	17-60V DC	9-50mA

Other colours/combinations are available on request

**IP Rating:** IP65 (deep base) IP21 (shallow base) **Operating Temp:** -25°C to +70°C **Construction:** Flame Retardant Polycarbonate

**Cable Entries:** Deep Base: 2 x 20mm cable glands **Weight:** 0.22kg (shallow base) 0.25kg (deep base)

**Compliance:** EN54 3 Type A (shallow base) EN54 3 Type B (deep base)



# Sounders & Beacons

## Base Sounder

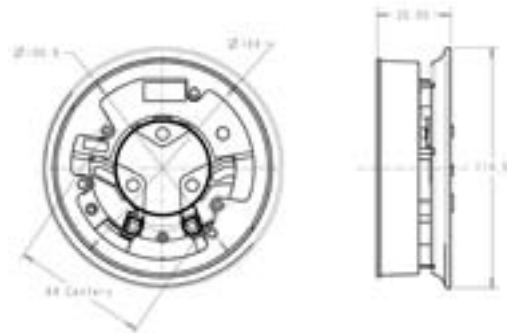
Low profile sounder is certified to EN54.

Its primary application is to be installed under proprietary smoke and heat detectors to provide both detection and alarm at the same point, reducing wiring and installation costs. With the optional cover it can also be used as a stand alone sounder.

A choice of colours is available, including white and cream, to coordinate with various detectors.

### Features

- Two large cable entries for quick and simple installation
- Designed to complement a variety of detectors
- 32 distinct alarm tones
- Choice of colours
- Cover plates available for use as sounder only
- Volume control for maximum flexibility - 20dB



## Specifications

Part No.	Description	Colours	Audibility at 1m	Tones	Voltage	Current (tone dependent)
PBS-0003	Base Sounder	White	Up to 95dB (A)	32	17-60V DC	2 - 7mA
PBS-0009	Base Sounder	Cream	Up to 95dB (A)	32	17-60V DC	2 - 7mA
PBS-0011	Base Sounder	White Cover	-	-	-	-
PBS-0014	Base Sounder	Cream Cover	-	-	-	-

**IP Rating:** Indoor **Operating Temp:** -10°C to +55°C **Construction:** High Impact Polycarbonate **Cable Entries:** N/A **Weight:** 0.1kg  
**Compliance:** EN54-3 Type A

## Compact Sounder

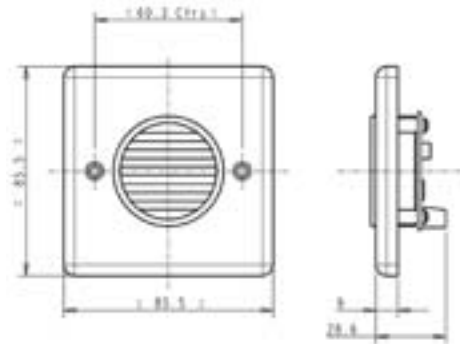
The Compact Sounder is particularly suited to fire alarm applications such as hotel bedrooms or areas where an unobtrusive sounder is desirable.

The Compact Sounder is designed to fix to standard flush or surface mount back boxes.

With a choice of 10 tones, Compact Sounders are available in either red or white.

### Features

- Flush mount sounder
- 10 distinct alarm tones
- Fixes to standard flush or surface mount back boxes
- Volume control



## Specifications

Part No.	Colours	Audibility at 1m	Tones	Voltage	Current (tone dependent)
PSS-0033	Red	Up to 90dB (A)	10*	10-30V DC	7-11mA
PSS-0035	White	Up to 90dB (A)	10*	10-30V DC	7-11mA

\* Tones 1-9 and tone 13 from the standard 32 tone list

**IP Rating:** Indoor    **Operating Temp:** -10°C to +55°C    **Construction:** Flame Retardant ABS    **Cable Entries:** N/A    **Weight:** 0.06kg

# Sounders & Beacons

## Sonos Voice

The Sonos voice range combines normal sounder signals with a clear, synchronised voice message to help reduce confusion and distress during an active alarm.

Units are available with 7 pre-programmed messages, selected from an extensive message library covering almost any conceivable application. Bespoke messages are also available on request.

These sounders can be used in small to medium fire alarm system installations where up to 7 messages can be transmitted over two wires via a message controller. (See page 13.)

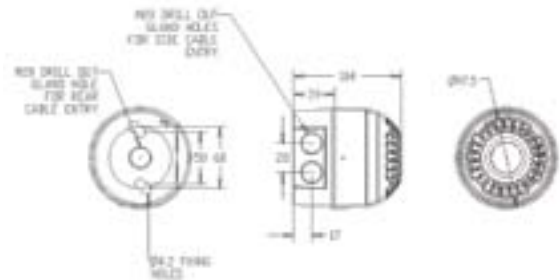
Both Sonos voice enhanced variants are available as sounders or sounder-beacons in either red or white, with shallow or deep base (IP65) options for indoor and outdoor applications.

### Features

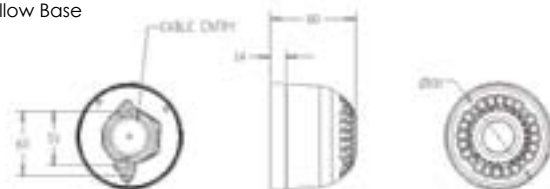
- Choice of up to 7 messages
- 106dB (A) tone and 80dB (A) message outputs
- Extensive message library or bespoke messages available
- Automatic synchronisation
- Easily retro-fits to existing installations
- Capable of playing up to 7 messages over two wires via a message controller\*
- Includes alert tone
- High efficiency LED Beacon option



Deep Base



Shallow Base



## Specifications

Part No.	Colours	Audibility at 1m Dimensions:	Tones	Voltage	Current (tone dependent)	Messages
PSV-0010 shallow base	Red	Up to 106dB (A)	32	24V DC	26mA (max)	3
PSV-0009 deep base	Red	Up to 106dB (A)	32	24V DC	26mA (max)	3
PSV-0012 shallow base	White	Up to 106dB (A)	32	24V DC	26mA (max)	3
PSV-0011 deep base	White	Up to 106dB (A)	32	24V DC	26mA (max)	3
PSV-0013 deep base	Red base, red lens	Up to 106dB (A)	32	24V DC	30mA (max)	3
PSV-0014 shallow base	Red base, red lens	Up to 106dB (A)	32	24V DC	30mA (max)	3
PSV-0015 deep base	White base, clear lens/red LED	Up to 106dB (A)	32	24V DC	30mA (max)	3
PSV-0016 shallow base	White base, clear lens/red LED	Up to 106dB (A)	32	24V DC	30mA (max)	3

\*Note: PNV-0022 Message Controller for Fire Alarm Systems; PNV-0004 Message Controller for Gas Exstinguishing Systems

**IP Rating:** IP65 (deep base) IP21 (shallow base) **Operating Temp:** -25°C to +70°C **Construction:** Flame Retardant Polycarbonate  
**Cable Entries:** Deep Base: 2 x 20mm cable glands **Weight:** 0.22kg (shallow base) 0.25kg (deep base) **Compliance:** EN60950



## Fire Bell

The Fire Bell is a motorised bell designed for fire alarm applications. Its low current consumption and universally recognisable alarm sound makes it an ideal choice for many alarm systems.

Designed for ease of installation, it features a robust steel gong.

Units are finished in red and are available in two gong sizes: 6" and 8".

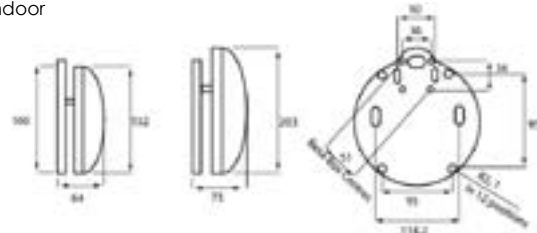
Depending on quantity, labels can be branded with a customer's name and logo.

### Features

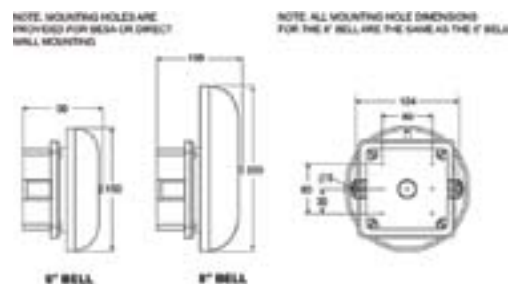
- Low current consumption
- Universally recognisable sound
- Diode polarised
- Choice of gong sizes (6" and 8")
- Approved to EN54-3



Indoor



Weatherproof



## Specifications

Part No.	Gong Size	Audibility at 1m	Voltage	Current
TAA-0007	6"	Up to 95dB (A)	19-28V DC	20mA
TAA-0015	8"	Up to 98dB (A)	19-28V DC	20mA
TAA-0017 Weatherproof	6"	Up to 95dB (A)	19-28V DC	20mA
TAA-0020 Weatherproof	8"	Up to 98dB (A)	19-28V DC	20mA

**IP Rating:** IP21C, IP33C (weatherproof version) **Rating:** Continuous **Frequency:** N/A **Operating Temp:** -10°C to +55°C  
**Dome Construction:** Steel **Weight:** 0.92kg (6") & 1.27kg (8") **Compliance:** EN54-3 Type A, EN54-3 Type B (weatherproof version)

# High Output Sounders & Beacons

## Nexus 105/110/120 Sounder

High output sounders certified to EN54.

Connections are made to the base during the initial wiring phase which results in faster and more reliable installation. In addition, the head is fixed by quarter turn fasteners enabling faster installation and accurate seal compression for weatherproofing.

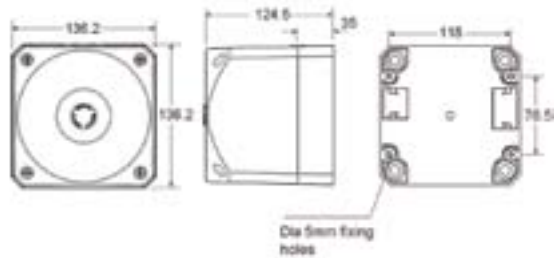
IP66 as standard means that Nexus can be installed in almost any location.

### Features

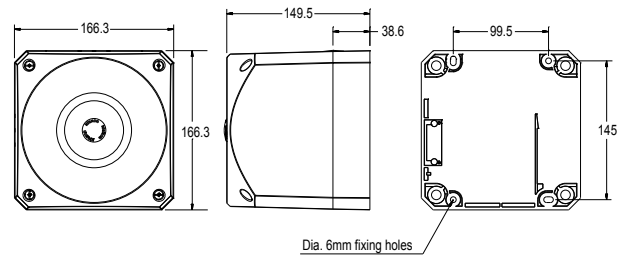
- 105dB, 110dB and 120dB sound output variants
- Three alarm stages
- First-fix, wire to base technology
- IP66 rated
- Volume control for greater flexibility - 20dB
- 64 tones



Nexus 105



Nexus 110/120



### Specifications

Part No.	Description	Colours	Audibility at 1m	Tones	Voltage	Current (tone dependent)
PNS-0001	Nexus 105	Red	105dB (A)	64	10-60V DC	8-40mA
PNS-0013	Nexus 110	Red	110dB (A)	64	10-60V DC	10-50mA
PNS-0005	Nexus 120	Red	120dB (A)	64	10-60V DC	120-550mA

**IP Rating:** IP66 **Operating Temp:** -25°C to +70°C **Cable Entries:** 5 **Weight:** 105dB Sounder - 0.7kg; 110dB Sounder - 1.1Kg; 120dB Sounder - 1.8Kg  
**Compliance:** EN54-3 Type B

## High Output Sounders & Beacons

### Nexus 105/110/120 Sounder Beacon

High output sounder beacons certified to EN54.

Connections are made to the base during the initial wiring phase which results in faster and more reliable installation. In addition, the head is fixed by quarter turn fasteners avoiding the need to screw up four individual screws thus enabling faster installation and accurate seal compression for weatherproofing.

The Nexus Sounder Beacon is available with a high efficiency LED or high output xenon beacon. The combination of a powerful sounder and high output beacon ensures a very effective audio-visual signal. 110dB and 120dB units, as well as AC variants, are also available.

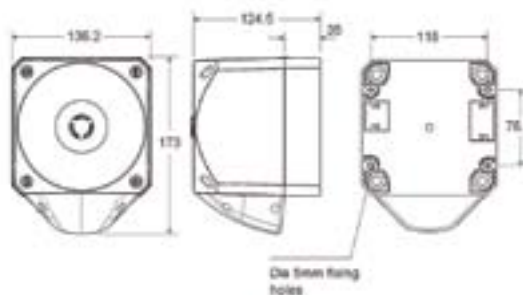
#### Features

- 5J xenon or high efficiency LED beacon option
- Quarter turn fasteners for ease of installation
- First-fix, wire to base technology
- IP66 rated
- Three alarm stages
- Low in-rush current (LED only)
- Static/flashing mode (LED only)
- Volume control for greater flexibility - 20dB
- 64 tones
- Voltage 10-60V DC

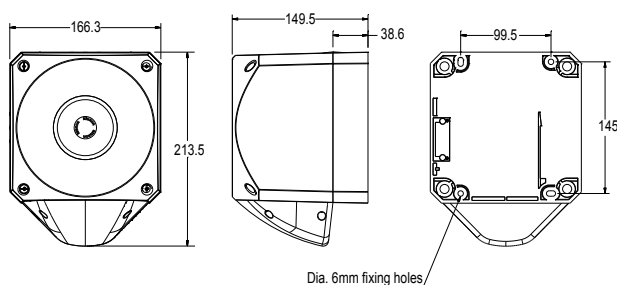
#### Lens Colour Options



Nexus 105



Nexus 110/120



#### Specifications

105dB Part No.	110dB Part No.	120dB Part No.	Lens Colour	Beacon Type	Beacon Current	105db Sounder Current	110db Sounder Current	120db Sounder Current
PNC-0001	PNC-0013	PNC-0003	Red	Xenon	330mA@24V DC	8-40mA	10-50mA	120-550mA
PNC-0002	PNC-0015	PNC-0004	Amber	Xenon	330mA@24V DC	8-40mA	10-50mA	120-550mA
PNC-0020	PNC-0021	PNC-0022	Clear	Xenon	330mA@24V DC	8-40mA	10-50mA	120-550mA
PNC-0043	PNC-0050	PNC-0057	Blue	Xenon	330mA@24V DC	8-40mA	10-50mA	120-550mA
PNC-0041	PNC-0048	PNC-0055	Green	Xenon	330mA@24V DC	8-40mA	10-50mA	120-550mA
PNC-0024	PNC-0029	PNC-0035	Red	LED	18mA/65mA**	8-40mA	10-50mA	120-550mA
PNC-0028	PNC-0034	PNC-0039	Amber	LED	18mA/65mA**	8-40mA	10-50mA	120-550mA
PNC-0045	PNC-0052	PNC-0059	Clear	LED	18mA/65mA**	8-40mA	10-50mA	120-550mA
PNC-0047	PNC-0054	PNC-0061	Blue	LED	18mA/65mA**	8-40mA	10-50mA	120-550mA
PNC-0046	PNC-0043	PNC-0060	Green	LED	18mA/65mA**	8-40mA	10-50mA	120-550mA

\*\* Flashing/Static current consumption figures.

**IP Rating:** IP66 **Rating:** Continuous **Frequency:** See Tone Table **Operating Temp:** -25°C to +70°C **Cable Entries:** 5 **Compliance:** EN54-3 Type B

**Weight:** Nexus 105: 0.8kg; Nexus 110: 1.2kg; Nexus 120: 2.0kg

**Current Sounder:** Nexus 105: 8-40mA; Nexus 110: 10-50mA; Nexus 120: 120-550mA

# High Output Sounders & Beacons

## Nexus Voice

Nexus voice sounders combine normal sounder signals with a clear, synchronised voice message to help reduce confusion and distress during an active alarm.

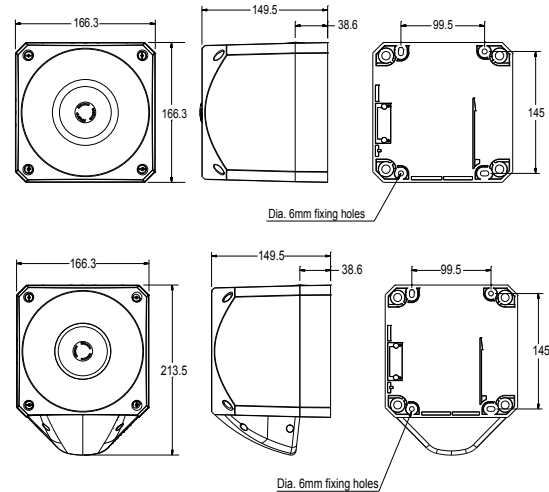
Standard units are available with 7 pre-programmed messages. Alternative messages can be selected from an extensive message library covering almost any conceivable application. Customised messages are also available on request.

All Nexus voice sounders have a USB port that allows special messages in WAV format to be downloaded onto the sounder from any PC, providing users with the flexibility of adding/removing messages in-field.

Combined with an LED or Xenon beacon the Nexus sounder can form part of a DDA compliant system giving a clear voice message, powerful alarm tone and high output beacon for clear and effective warning.

### Features

- Choice of up to 7 messages via three volt free contacts
- Message controller version also available\*
- Extensive message library or bespoke messages available
- Download messages in-field via built in USB port
- 110dB (A) tone and 90dB (A) message outputs
- Automatic synchronisation
- Robust construction; IP66 rated for outdoor environments
- Volume control - 20dB
- Voltage 24V DC
- 64 tones



### Specifications

Part No.	Lens Colours	Beacon Type	Sounder Current	Beacon Current
PNV-0001	-	Sounder only	30mA (max)	-
PNV-0006	Red	LED	30mA (max)	18mA/65mA**
PNV-0007	Amber	LED	30mA (max)	18mA/65mA**
PNV-0008	Green	LED	30mA (max)	18mA/65mA**
PNV-0009	Blue	LED	30mA (max)	18mA/65mA**
PNV-0010	Clear	LED	30mA (max)	18mA/65mA**
PNV-0003*	Red	LED	30mA (max)	18mA/65mA**
PNV-0011	Red	Xenon	30mA (max)	330mA@24V DC
PNV-0012	Amber	Xenon	30mA (max)	330mA@24V DC
PNV-0013	Green	Xenon	30mA (max)	330mA@24V DC
PNV-0014	Blue	Xenon	30mA (max)	330mA@24V DC
PNV-0015	Clear	Xenon	30mA (max)	330mA@24V DC

\* For use with a message controller. \*\* Flashing/Static current consumption figures.

**IP Rating:** IP66 **Rating:** Continuous **Frequency:** See Tone Table **Operating Temp:** -25°C to +70°C **Cable Entries:** 5  
**Weight:** Sounder 1.1kg; Sounder Beacon 1.2kg

## Message Controllers

When combined with a message controller voice sounders can transmit upto 4 messages over the same sounder circuit with no additional wiring.

### Message Controller for Fire Alarm Systems

Alert, Evacuate, Test & All Clear messages for each stage of alarm.

### Message Controller for Gas Extinguishing Systems

Alert, Gas Release Imminent, Gas Released and Gas Hold messages for each stage of alarm.

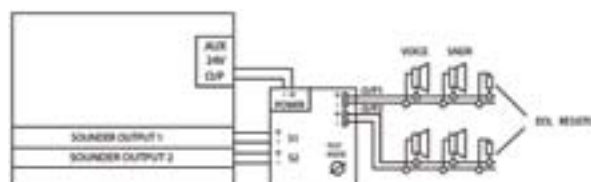
Message controllers have two status indication LED's; a 'System Health' indicator which is green in colour and a 'fault indicator' which is amber in colour.

### Features

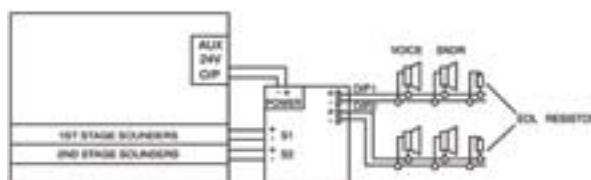
- Acts as a communication medium between the alarm panel and voice sounders
- No additional wiring
- Fully synchronised voice messages
- System health indicators
- Simple operation
- Compatible with any of the Sonos Voice Sounders and the Nexus red LED voice sounder beacon (PNV-0003)



Fire Alarm System



Gas Extinguishing System



## Specifications

Part No.	Description	Messages	Voltage	Quiescent Current	Alarm Current	Sounder Load
PNV-0022	Fire Alarm System	4+*	17-28V DC	16mA	45mA	2A
PNV-0004	Gas Extinguishing Alarm System	4+*	17-28V DC	16mA	45mA	2A

\* An additional default message can be played in the event of a power loss or interface fault.

**IP Rating:** Indoor    **Operating Temp:** -10°C to +55°C    **Construction:** Polycarb Flame Retardant    **Weight:** 0.48Kg  
**Dimensions:** 131mm W x 178mm H x 60.5mm D

# Hazardous Area Signalling

## Syrex IS Range

The Syrex IS Sounder is an intrinsically safe alarm sounder which provides an audible warning signal in hazardous area applications.

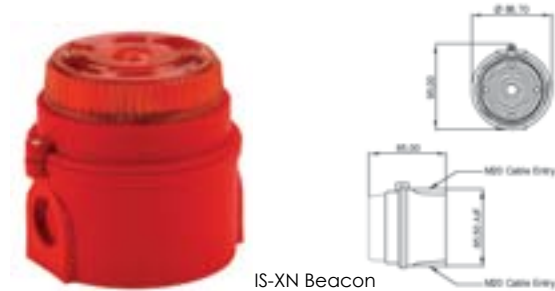
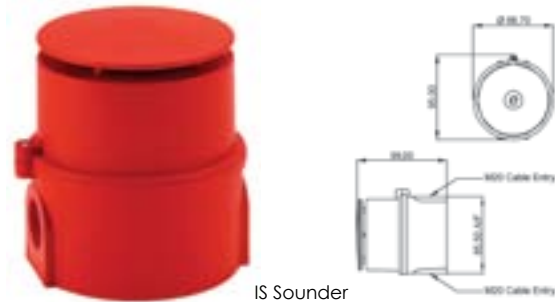
With three alarm stages and a low current consumption, the Syrex IS Sounder is ideal for both fire and process control applications.

The Syrex IS Sounder needs to be used with a galvanic isolator specified by the system certificates.

### Features

- Rated for Category 1
- ATEX approved
- II 1G EEx ia IIC T4
- Choice of 49 tones
- Choice of lens colours
- Auto synchronised sound output
- ABS flame retardant UL94V0 & 5VA housing
- Weatherproof to IP65
- Volume control
- Voltage 6-28V DC

### Lens Colour Options



## Specifications

Part No.	Description	Lens Colours	Audibility at 1m (tone dependent)	Tones	Current (tone dependent)
TCA-0023	IS Sounder	-	Up to 100dB (A)	49	25mA typical
TCA-0029	IS-SB Sounder Beacon	Red	Up to 100dB (A)	49	48mA typical
TCA-0037	IS-SB Sounder Beacon	Amber	Up to 100dB (A)	49	48mA typical
TCA-0038	IS-SB Sounder Beacon	Blue	Up to 100dB (A)	49	48mA typical
TCA-0039	IS-SB Sounder Beacon	Green	Up to 100dB (A)	49	48mA typical
TCA-0026	IS-XN Beacon	Red	N/A	N/A	25mA typical
TCA-0033	IS-XN Beacon	Amber	N/A	N/A	25mA typical
TCA-0034	IS-XN Beacon	Blue	N/A	N/A	25mA typical
TCA-0067	IS-XN Beacon	Green	N/A	N/A	25mA typical

## Accessories

Part No.	Accessories
TCA-0042	Single Channel Galvanic Isolator
TCA-0066	Dual Channel Galvanic Isolator
TCA-0065	IS DIN Rail Enclosure – will accept 2 x isolators

For a full list of the certificate numbers relating to this product, please contact Klaxon Signals directly.

**IP Rating:** IP65 **Frequency:** Flash rate 2Hz or 1Hz (double flash) **Operating Temp:** -40°C to +60°C

**Construction:** High Impact ABS Flame Retardant **Cable Entries:** 2 **Weight:** 0.35kg



## Self Contained Alarms

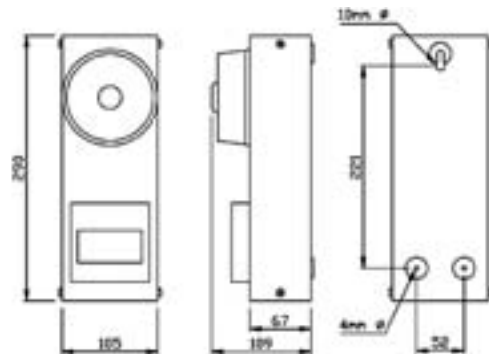
### Klaxalarm Terrier

The Klaxalarm Terrier is a stand alone, self-contained fire alarm designed for use in small retail, industrial or temporary buildings as well as construction sites, camp sites or marquees. In addition it can be used as a temporary alarm when the main fire alarm system is under maintenance.

Several units can be interlinked to provide additional coverage so that when one call point is activated, all of the other units sound. When fitted with LR14 batteries, these units will operate in standby mode for over 3 years. An audible warning is emitted when the battery power level becomes low.

#### Features

- 98dB (A) Sounder
- Battery operated unit
- Combined call point and sounder
- Rugged metal construction
- Simple to install and operate
- Units can be linked to form a complete system
- Low battery warning
- Resets with a simple key



#### Specifications

Part No.	Colours	Audibility (tone) at 1m (typical)	Tones (Up to)	Voltage (50/60Hz)	Current (tone dependent)
TBA-0003	Red	Up to 98dB (A)	3	6x LR14 batteries	N/A

**IP Rating:** Indoor **Operating Temp:** -15°C to +45°C **Construction:** Steel Case **Cable Entries:** N/A **Weight:** 1.5kg

Klaxon Signals is a brand of Texecom Ltd

[www.klaxonsignals.com](http://www.klaxonsignals.com)

Tel: +44 (0)1706 233879

Texecom Ltd  
St Crispin Way  
Haslingden  
Lancashire  
BB4 4PW  
England

**klaxon**  
**Signalling Solutions**