

BExCP3-BG Break Glass Manual Call Point

The BExCP3-BG break glass manual call points are designed for the harshest of environments and approved for Zone 1, 2, 21 and 22 explosion proof hazardous areas for the control of fire and gas alarm systems. SIL2 compliant to IEC61508 (2010).

The BEx range features enclosures manufactured from corrosion proof, marine grade, copper free LM6 (A413) aluminium with a chromated and powder coat finish. Available with and without monitoring resistors all versions are certified to IECEx and ATEX standards with additional PESO, INMETRO and Ex EAC approvals. The break glass element features a safety membrane and is designed to snap ensuring the no glass fragments are released during activation. A hammer is available as an accessory if required by local code.

Features

- Alternative housing colours are available to meet specific requirements
- DIN rail mounted terminal blocks: 8 × 2.5mm²
- Optional stainless Steel lift flap
- Metalised Polyester or stainless steel duty label
- Series and/or End of Line resistors, diodes or Zener diodes
- Break glass hammer accessory available

Approvals

- ATEX certificate: Sira 09ATEX3286X
- IECEx certificate: IECEx SIR 09.0121X
- INMETRO certificate: 104Ex-0011X
- Ex EAC TR CU 012/2011 certified: KZ.1510019.22.01.00271
- SIL2 compliant to IEC 61508 (2010)
- PESO CCOE certified: P471504
- Complies with design requirements of EN54-11
- ECAS Ex 20-06-14792/E20-06-002576/NB0007

Coding

- BExCP3A-BG:
II 2G Ex db eb IIC T6 Gb Ta = -40°C to +70°C
II 2D Ex tb IIIC T75°C Db IP66
- BExCP3B-BG:
II 2G Ex db eb mb IIC T4 Gb Ta = -40°C to +50°C
II 2D Ex tb IIIC T60°C Db IP66
- BExCP3C-BG:
II 2G Ex db eb mb IIC T4 Gb Ta = -40°C to +65°C
II 2D Ex tb IIIC T75°C Db IP66

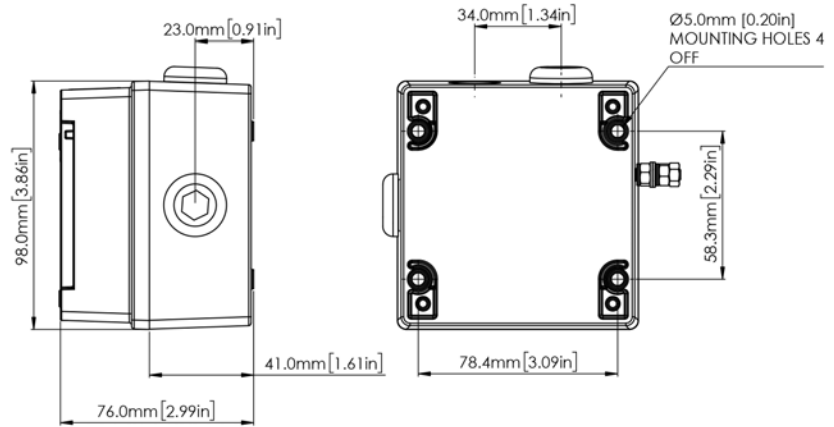
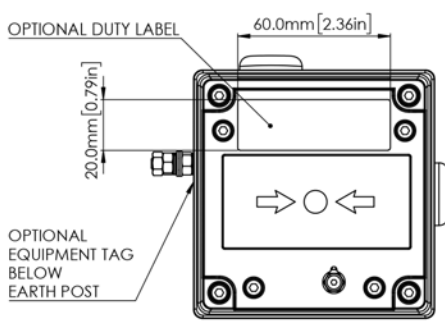
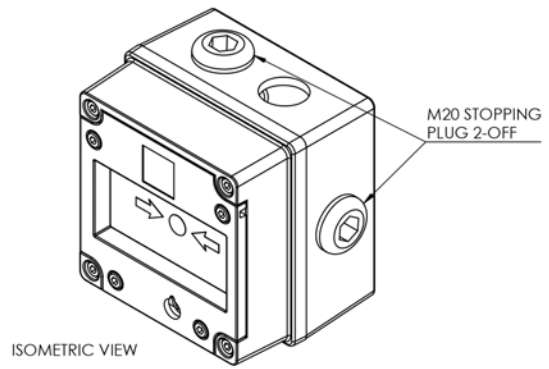
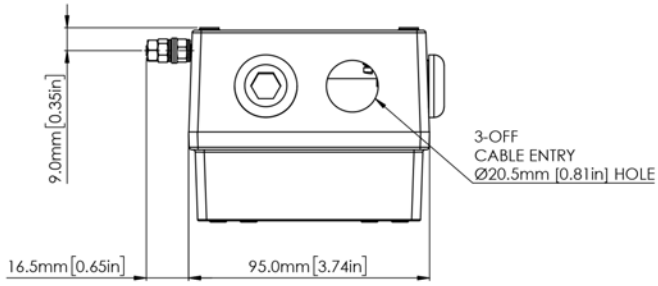


Specification

| | |
|------------------------------|---|
| BExCP3A-BG: | A version |
| Coding: | II 2G Ex db eb IIC T6 Gb Ta = -40°C to +70°C II 2D Ex tb IIIC T75°C Db IP66 |
| Switch rating: | 250V ac max. current 5.0A 250V dc max. current 0.25A 125V dc max. current 0.5A 75V dc max. current 0.75A 50V dc max. current 1.0A 30V dc max. current 5.0A max resistive, 3.0A inductive 12V dc max. current 5.0A |
| BExCP3B-BG: | B version |
| Coding: | II 2G Ex db eb mb IIC T4 Gb Ta = -40°C to +50°C II 2D Ex tb IIIC T60°C Db IP66 |
| Switch rating: | 48Vdc nom. 56Vdc max. 0.75A max. 24Vdc nom. 28Vdc max. 5.0A max. resistive, 3.0A inductive 12Vdc nom. 15Vdc max. 5.0A max. 6Vdc nom. 9Vdc max. 5.0A max. |
| Min. resistor (2W): | 48V = 1K8 24V = 470R 12V = 120R 6V = 47R |
| BExCP3C-BG: | C version |
| Coding: | II 2G Ex db eb mb IIC T4 Gb Ta = -40°C to +65°C II 2D Ex tb IIIC T75°C Db IP66 |
| Switch rating: | 125V dc max. current 0.5A resistive, 0.03A inductive 75V dc max. current 0.75A 48V dc max. current 1.0A 24V dc max. current 5.0A max resistive, 3.0A inductive 12V dc max. current 5.0A 6V dc max. current 5A |
| Min. resistor (1.5W): | 48V = 1K8 24V = 430R 12V = 110R 6V = 27R |
| Resistors (Current limited): | 48V < 1K8 max. current: 31mA 24V < 430R max. current = 62mA 12V < 110R max. current: 125mA 6V < 27R max. current = 250mA |
| General: | |
| Ambient: | Ta = -40°C to +70°C [-40° to +158°F] (+50°C for BExCP3B, +65°C for BExCP3C) |
| Ingress protection: | IP66/67 |
| Enclosure material: | Marine grade copper free LM6 Aluminium |
| Enclosure finish: | Chromated & powder coated finish: anti-corrosion. |
| Colour: | RAL3000 Red (others available on request) |
| Cable entries: | 2 x M20 clearance top and 1 x M20 clearance side. Back box can be rotated to give 2 x bottom and 1 x side entries Adapters available to 1/2"NPT, 3/4"NPT or M25 |
| Stopping plugs: | 2 x Ex e nylon plugs as standard Brass, nickel plated brass and stainless steel Ex d plugs optional |
| Terminals: | 6 x 4.0mm ² cables or or 8 x 2.5mm ² DINrail |
| Weight: | 0.8Kg |

Part Codes

| Version: | Part code variable: | Description: |
|--|---|---|
| Type: | BExCP3ABG BExCP3BBG BExCP3CBG | Type A: no EOL devices Ta -40°C to +70°C Type B: with EOL devices Ta -40°C to +50°C Type C: with EOL devices Ta -40°C to +65°C |
| Switch Type: [s] | S | SPCO/SPDT |
| Terminals: [t] | S D | 6 x 4mm ² terminals DIN Rail 8 x SAK2.5 [B or C version only] |
| Lift flap: [l] | L N | Lift flap No lift flap |
| Cable Entry Type: [e] | A B C D E F G | 3 x M20x1.5mm 2 x 1/2" NPT - adaptors 2 x 3/4" NPT - adaptors 2 x M25x1.5mm - adaptors 1 x 1/2" NPT - adaptor 1 x 3/4" NPT - adaptor 1 x M25x1.5mm - adaptor |
| Stopping plug material: [m] | B N P S | Brass Nylon Nickel Plated Brass Stainless Steel |
| Duty label / Equipment tag: [d]: | 1 2 3 4 5 6 7 | No Duty label, no Equip. tag Duty label Stainless Steel Duty label St/St + Equip. tag Duty label Metalised Polyester Duty label M. Poly. + Equip. tag Equip. tag only Special label requirement |
| Product version: [v]A1 | | IECEX, ATEX, EAC, INMETRO, PESO approved |
| Enclosure colour: [x] | R B N Y V S K M Z | Red Blue Green Yellow Red/White Yellow/Black Black Magenta Red/Black |
| Default variable: [u] | N | Default = N - not currently used |
| Voltage: [v] | 48, 24, 12, 6 | System voltage Vdc (only required for BExCP3B or C type) |
| E.O.L.Module: [e] optional only for BExCP3B or C type | ExxxR ED1 ExxxZ | Resistor value in Ohms e.g. E470R = 470 Ohm Diode IN4007 = ED1 Zener diode e.g. E5V1Z = 5.1V |
| Series Module: [s] optional only for BExCP3B or C type | SxxxR SD1 SxxxZ | Resistor value in Ohms e.g. S1K5R = 1.5K Ohm Diode IN4007 = SD1 Zener diode e.g. S5V1Z = 5.1V |
| Spares: | SP70-0001 SP70-0040 | Replacement break glass elements (Pack of 50) BExCP3-BG Test Key |
| Accessories: | SP65-0001-A2 SP65-0001-A4 SP65-0002-A2 SP65-0002-A4 SP70-0065 | Pole Mount Bracket Kit 2" St/St A2 (304) Pole Mount Bracket Kit 2" St/St A4 (316) Sunshade - St/St A2 (304) Sunshade - St/St A4 (316) Break glass hammer with chain |



GNE_xCP6-BG Break Glass Manual Call Point

The flameproof GNE_xCP6-BG break glass manual call points are approved for Zone 1, 2, 21 and 22 hazardous areas for the control of fire and gas alarm systems. The robust, lightweight GRP enclosure is UV stable and provides a corrosion free initiation solution for harsh and hazardous applications on and offshore.

Available with optional EOL or series resistors, diode or Zener diodes and an LED indicator. Also with either single or double pole change over switches. Certified to IECEx and ATEX standards with additional PESO, INMETRO and Ex EAC approvals. The break glass element features a safety membrane and is designed to snap ensuring the no glass fragments are released during activation. A hammer is available as an accessory if required by local code.

Features

- Alternative housing colours are available to meet specific requirements
- Single or double pole c/o switch
- DIN rail mounted terminal blocks: 8 × 2.5mm²
- Metalised polyester or stainless steel "Duty" label
- Series and/or End of Line resistors, diodes & Zener diodes
- Optional Indicator LED
- Break glass hammer accessory available

Approvals

- ATEX certificate: Sira 09ATEX3286X
- IECEx certificate: IECEx SIR 09.0121X
- SIL 2 certified to IEC 61508 (2010)
- Ex EAC certified: KZ.1510019.22.01.00271
- PESO CCOE certified: P471504
- INMETRO certificate: IEx_10.0011X
- ECAS Ex 20-06-14792/E20-06-002576/NB0007

Coding

- GNE_xCP6A-BG:
II 2G Ex db eb IIC T6 Gb Ta = -40°C to +75°C
II 2D Ex tb IIIC T75°C Db IP66
- GNE_xCP6B-BG:
II 2G Ex db eb mb IIC T4 Gb Ta = -40°C to +50°C
II 2D Ex tb IIIC T80°C Db IP66
- GNE_xCP6C-BG:
II 2G Ex db eb mb IIC T4 Gb Ta = -40°C to +65°C
II 2D Ex tb IIIC T75°C Db IP66

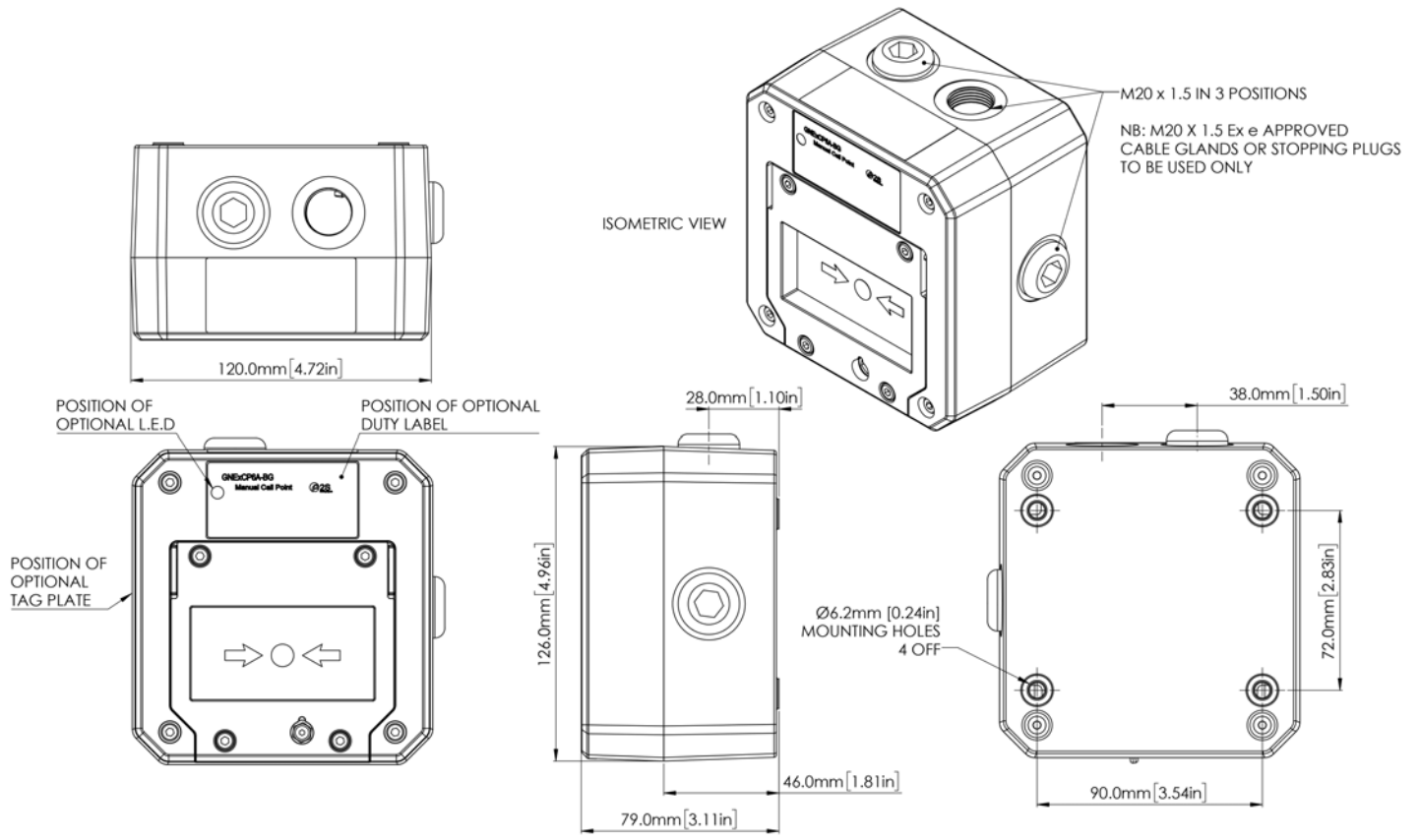


Specification

| | |
|------------------------------|---|
| GNExCPA-BG: | A version |
| Coding: | II 2G Ex db eb IIC T6 Gb Ta = -40°C to +75°C II 2D Ex tb IIIC T75°C Db IP66 |
| Switch rating: | 250V ac max. current 5.0A 250V dc max. current 0.25A 125V dc max. current 0.5A 75V dc max. current 0.75A 50V dc max. current 1.0A 30V dc max. current 5.0A max resistive, 3.0A inductive 12V dc max. current 5.0A |
| GNExCPB-BG: | B version |
| Coding: | II 2G Ex db eb mb IIC T4 Gb Ta = -40°C to +50°C II 2D Ex tb IIIC T80°C Db IP66 |
| Switch rating: | 48Vdc nom. 56Vdc max. 0.75A max. 24Vdc nom. 28Vdc max. 5.0A max. resistive, 3.0A inductive 12Vdc nom. 15Vdc max. 5.0A max. 6Vdc nom. 9Vdc max. 5.0A max. |
| Min. resistor (2W): | 48V = 1K8 24V = 470R 12V = 120R 6V = 47R |
| LED | Optional LED indicator assembly |
| GNExCPC-BG: | C version |
| Coding: | II 2G Ex db eb mb IIC T4 Gb Ta = -40°C to +65°C II 2D Ex tb IIIC T75°C Db IP66 |
| Switch rating: | 125V dc max. current 0.5A resistive, 0.03A inductive 75V dc max. current 0.75A 48V dc max. current 1.0A 24V dc max. current 5.0A max resistive, 3.0A inductive 12V dc max. current 5.0A 6V dc max. current 5A |
| Min. resistor (1.5W): | 48V = 1K8 24V = 430R 12V = 110R 6V = 27R |
| Resistors (Current limited): | 48V < 1K8 max. current: 31mA 24V < 430R max. current = 62mA 12V < 110R max. current: 125mA 6V < 27R max. current = 250mA |
| LED | Optional LED indicator assembly with or without current limiting resistor |
| General: | |
| Ambient: | Ta = -40°C to +75°C [-40° to +167°F] (+50°C for BExCP3B, +65°C for BExCP3C) |
| Ingress protection: | IP66 |
| Enclosure: | GRP - Glass Reinforced Polyester |
| Colour: | RAL3000 Red (others available on request) |
| Cable entries: | 2 x M20 clearance bottom and 1 x M20 clearance side. Back box can be rotated to give 2 x top and 1 x side entries Adapters available to 1/2"NPT, 3/4"NPT or M25 |
| Stopping plugs: | 2 x Ex e nylon plugs as standard Brass, nickel plated brass and stainless steel Ex d plugs optional |
| Terminals: | 6 x 4.0mm ² cables or or 8 x 2.5mm ² DIN rail |
| Relative Humidity: | R.H. 95% @ 20°C |
| Test: | Test key facility |
| Weight: | 1.2Kg/2.64lbs |

Part Codes

| Version: | Part code variable: | Description: |
|---|---|---|
| Type: | GNExCP6ABG GNExCP6BBG GNExCP6CBG | Type A: no end of line devices Ta -40°C to +75°C Type B: end of line devices Ta -40°C to +50°C Type C: end of line devices Ta -40°C to +65°C |
| Switch Type: [s] | S D | SPCO/SPDT DPCO/DPDT |
| Terminals: [t] | D S | DIN Rail 8 x SAK2.5 6 x 4mm ² terminals |
| Lift flap: [l] | L N | Lift flap No lift flap |
| Cable Entry Type: [e] | A B C D E F G | 3 x M20x1.5mm 2 x 1/2" NPT - adaptors 2 x 3/4" NPT - adaptors 2 x M25x1.5mm - adaptors 1 x 1/2" NPT - adaptor 1 x 3/4" NPT - adaptor 1 x M25x1.5mm - adaptor |
| Stopping plug material: [m] | B N P S | Brass Nylon Nickel Plated Brass Stainless Steel |
| Duty label / Equipment tag: [d] | 1 2 3 4 5 6 7 | No Duty label, no Equip. tag Duty label Stainless Steel Duty label St/St + Equip. tag Duty label Metalised Polyester Duty label M. Poly. + Equip. tag Equip. tag only Special label requirement |
| Product version: [v]A1 | | IECEX, ATEX, EAC, INMETRO, PESO approved |
| Enclosure colour: [x] | R B N Y V S K M Z | Red Blue Green Yellow Red/White Yellow/Black Black Magenta Red/Black |
| LED Indicator [u] | N L C | No LED indicator - Default: N for A versions LED indicator (GNExCP6B or C versions only) LED indicator (GNExCP6B or C versions only) max. current: 20mA |
| Voltage: [v] | 48, 24, 12, 6 | System voltage in Vdc (only required for GNExCP6B or C type) |
| E.O.L.Module: [e] optional only for GNExCP6B or C type | ExxxR ED1 ExxxZ | Resistor value in Ohms e.g. E470R = 470 Ohm Diode IN4007 = ED1 Zener diode e.g. E5V1Z = 5.1V |
| Series Module: [s] optional only for GNExCP6B or C type | SxxxR SD1 SxxxZ | Resistor value in Ohms e.g. S1K5R = 1.5K Ohm Diode IN4007 = SD1 Zener diode e.g. S5V1Z = 5.1V |
| Spares: | SP70-0001 SP70-0040 | Replacement break glass elements (Pack of 50) GNExCP6-BG Test Key |
| Accessories: | SP65-0001-A2 SP65-0001-A4 SP65-0002-A2 SP65-0002-A4 SP70-0065 | Pole Mount Bracket Kit 2" St/St A2 (304) Pole Mount Bracket Kit 2" St/St A4 (316) Sunshade - St/St A2 (304) Sunshade - St/St A4 (316) Break glass hammer with chain |



STExCP8-BG Break Glass Call Point

The flameproof STExCP8-BG break glass manual call point, with a 316L stainless steel enclosure, is designed for the harshest of environments. Approved for Zone 1 & 2 hazardous areas for fire and gas alarm systems, ESD and process control.

Available with standard DIN rail terminals or the innovative E2S termination board providing dedicated connections for field installed EOL and/or series devices. The break glass element features a safety membrane and is designed to snap ensuring the no glass fragments are released during activation. A hammer is available as an accessory if required by local code. SIL 2 compliant to IEC 61508 (2010). DNV type approved for exposed locations.

Features

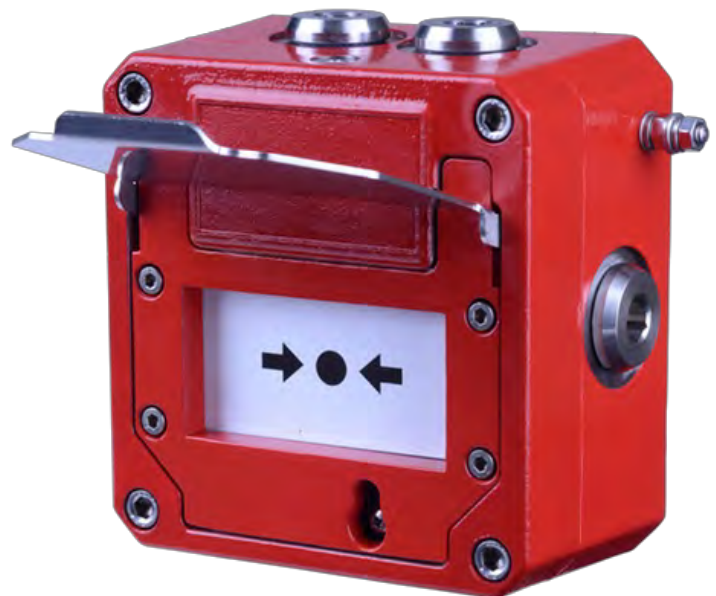
- Robust corrosion proof 316L stainless steel enclosure
- Epoxy powder coat paint finish
- Alternative housing colours are available to meet specific requirements
- Ingress protection IP66
- Single or double switch
- Optional equipment tags and duty labels
- Optional stainless steel lift flap
- 2 × 316 Stainless steel stopping plugs included
- 3 x M20 cable entries
- Stainless steel fasteners
- Test key facility
- Break glass hammer accessory available
- DNV type approved IEC 60945 & DNVGL-CG-0339

Approvals

- IECEx certificate: IECEx ULD 15.0018X
- ATEX certificate: DEMKO 15 ATEX 1589X
- TR-CU Ex EAC certificate: RU C-GB.AA71.B.00109
- PESO CCOE certified: P471509
- INMETRO IEx 20.0051X
- SIL 2 compliant to IEC 61508 (2010)

Coding

- Ex db IIC T6 Gb Ta. -55°C to +70°C (Single switch)
- Ex db IIC T5 Gb Ta. -55°C to +70°C (Dual switch)
- Ex db IIC T6 Gb Ta. -55°C to +60°C (Dual switch)

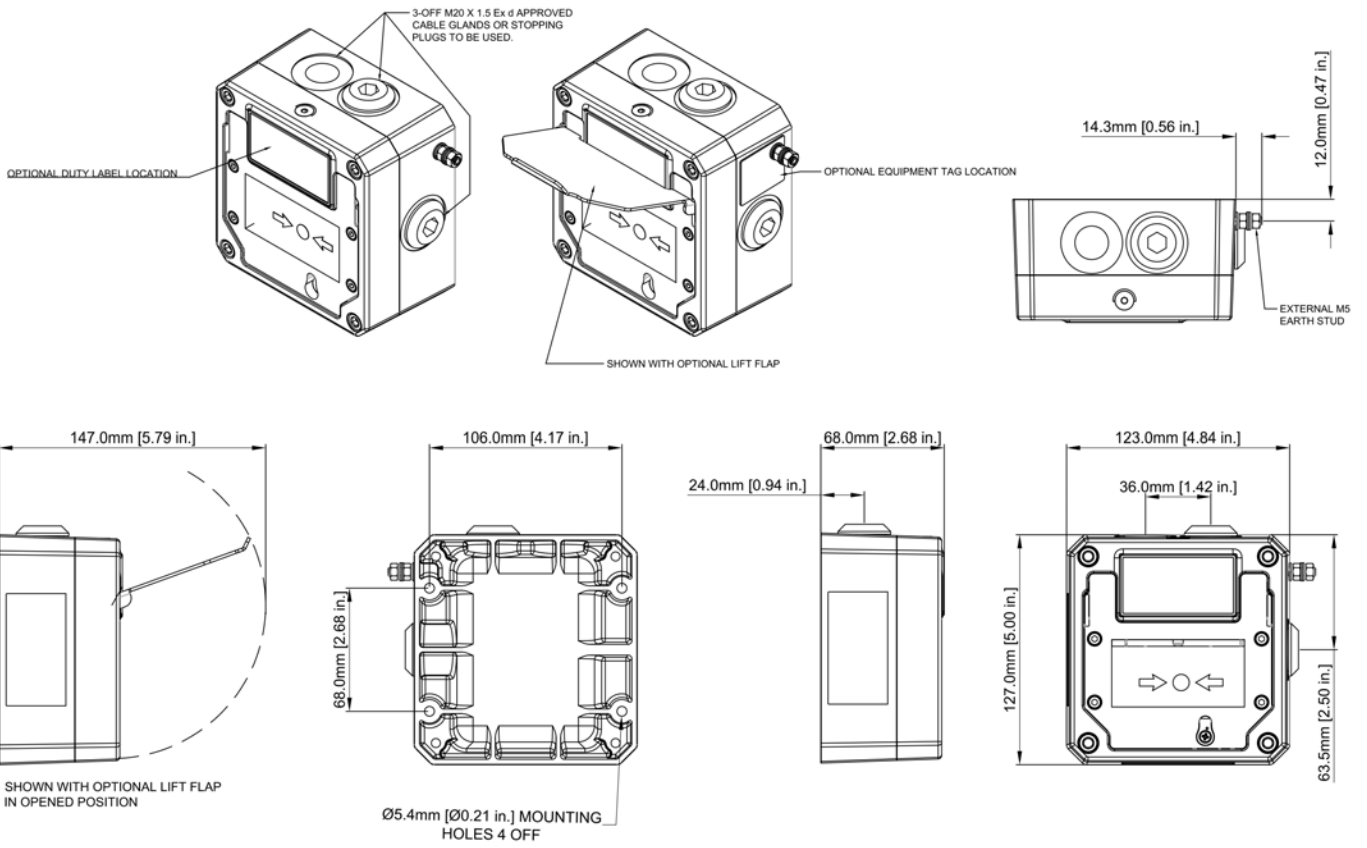


Specification

| | | |
|------------------------------|--|-------------------------------|
| STExCP8-BG: | Version: Break Glass Manual Call Point | |
| Coding: | Ex db IIC T6 Gb Ta. -55°C to +70°C (Single switch) Ex db IIC T5 Gb Ta. -55°C to +70°C (Dual switch) Ex db IIC T6 Gb Ta. -55°C to +60°C (Dual switch) | |
| Ingress protection: | EN/IEC 60529 – IP66 | |
| Enclosure matl: | 316L Stainless Steel | |
| Colour: | RAL3000 Red (others available on request) | |
| Cable entries: | 2 x M20x1.5 top and 1 x M20x1.5 side. Back box can be rotated to give 2 x bottom and 1 x side entries | |
| Stopping plugs: | 2 x 316 Stainless Steel plugs as standard Brass and Nickel plated plugs optional | |
| Terminals: | DIN rail 8 x 2.5mm ² SAK2.5 or Termination board featuring 6 x 2.5mm ² terminals plus 4 x dedicated EOL & Series terminals | |
| Earth: | External M5 earth connection | |
| Relative Humidity: | R.H. 95% @ 20°C | |
| Test: | Test key facility | |
| Weight: | 4.2Kg/9.26lbs | |
| Voltage Range: | Max input Current: Limitations for EOL / Series Resistors: | |
| 250Vac Max | 5.0A max | not permitted |
| 48Vdc Max | 1.0A max | min. 2.2kOhm |
| 24Vdc Max | 3.0A max | min. 470 Ohm |
| EOL and Series Diode Values: | | |
| xxx: | Zener Value | Max. current supply permitted |
| 3V3 | 3.3V Diode | 230mA |
| 4V7 | 4.7V Diode | 162mA |
| 5V1 | 5.1V Diode | 149mA |
| 5V6 | 5.6V Diode | 136mA |
| 6V2 | 6.2V Diode | 122mA |
| 6V8 | 6.8V Diode | 112mA |
| 10V | 10V Diode | 76mA |
| 12V | 12V Diode | 63mA |

Part Codes

| | | |
|----------------------------------|---|---|
| Version: | Part reference: | Description: |
| Product type: | STExCP8BG | Break Glass Manual Call Point |
| Switch Type: [s] | S D | SPCO/SPDT DPCO/DPDT |
| Terminals: [t] | D P | DIN Rail 8 x SAK2.5 Termination board: 6 x 2.5mm ² terminals plus 4 x EOL & Series terminals |
| Lift flap: [l] | L N | Lift flap No lift flap |
| Cable Entry Type: [e] | A B C D E F G | 3 x M20x1.5mm 2 x 1/2" NPT – adaptors 2 x 3/4" NPT – adaptors 2 x M25x1.5mm – adaptors 1 x 1/2" NPT – adaptor 1 x 3/4" NPT – adaptor 1 x M25x1.5mm – adaptor |
| Stopping plug material: [m] | S | Stainless Steel |
| Duty label / Equipment tag: [d]: | 1 2 3 4 5 6 7 | No Duty label, no Equip. tag Duty label Stainless Steel Duty label St/St + Equip. tag Duty label Metalised Polyester Duty label M. Poly. + Equip. tag Equip. tag only Special label requirement |
| Product version: [v] | A1 | IECEX, ATEX, Ex EAC, PESO & DNV approved |
| Enclosure colour: [x] | R B N Y V S K M Z | Red Blue Green Yellow Red/White Yellow/Black Black Magenta Red/Black |
| Default variable: [u] | N | Default = N – not currently used |
| E.O.L.Module: [e] optional | ExxxR ED1 ExxxZ | Resistor value in Ohms e.g. E470R = 470 Ohm Diode IN4007 = ED1 Zener diode e.g. E5V1Z = 5.1V |
| Series Module: [s] optional | SxxxR SD1 SxxxZ | Resistor value in Ohms e.g. S1K5R = 1.5K Ohm Diode IN4007 = SD1 Zener diode e.g. S5V1Z = 5.1V |
| Spares: | | |
| SP70-0001 | Replacement break glass elements (Pack of 50) | |
| SP70-0040 | STxCP8-BG Test Key | |
| Accessories: | | |
| SP65-0001-A2 | Pole Mount Bracket Kit 2" St/St A2 (304) | |
| SP65-0001-A4 | Pole Mount Bracket Kit 2" St/St A4 (316) | |
| SP65-0002-A2 | Sunshade – St/St A2 (304) | |
| SP65-0002-A4 | Sunshade – St/St A4 (316) | |
| SP70-0065 | Break glass hammer with chain | |



D1xCP1-PS Explosion Proof Manual Pull Station

The D1xCP1-PS is a cast aluminium manual alarm pull station available in a dual action configuration. These explosion proof stations have a DPDT switch mounted in heavy duty cast aluminium housings.

The solid design and rugged construction of the D1xCP1-PS station makes it ideal for use in harsh operating environments and hazardous locations. The D1xCP1-PS manual station is UL listed for use in the various classifications of hazardous environments shown in the specification table. The device has a NEMA type 4X rating for operation in extreme weather conditions and plant wash down applications. It is also UL Marine listed for operation in highly corrosive environments.

Features

The D1xCP1-PS dual action model features a “PUSH” bar that moves inward, allowing the “PULL” handle to be grasped and operated by a single hand. The activated station is reset by opening the station with a key, placing the handle in the normal upright position, and re-locking the station.

- Explosion Hazard Classifications
Class I, Div. 1, Group B, C and D
Class II, Div. 1, Group E, F and G
Class III, Div. 1
- Marine and NEMA type 4X Rated
- DPDT switch with screw terminal connection
- Dual Action
- DC and AC Voltage Contact Ratings
- Key Reset

Approvals

- UL
- MEA



Specification

| | |
|--------------------------|---|
| Listings: | UL, MEA |
| Temperature: | -40°C to +65°C [-40° to 150°F] |
| Relative humidity: | 95% at 20°C [68°F] |
| Switch Type: | Double Pole, Double Throw (DPDT) |
| Switch Rating: | 1 Amp @ 30 VDC 10 Amp @ 120 VAC |
| IP Rating: | NEMA Type 4X (UL) |
| Other: | UL Marine Listed |
| Pull Station Weight: | 4.8 lbs |
| Pull Station Dimensions: | 6 5/16" h x 3 1/4" w x 3 7/8" d |
| Conduit Fittings: | Two - 3/4" - 14 NPT |
| Colour: | Red with raised white letters white "PULL" bar and white "PUSH" bar (Dual Action) with raised red letters |

Part Codes

| Version: | Part code: | |
|----------------------|-----------------|---|
| Product type: | D1XCP1PS | D1xCP1-PS Manual Pull Station |
| Switch Type: [s] | D | DPDT/DPCO |
| Cable entries: [e] | D | 2 × 3/4" NPT |
| Stopping plug: [m] X | | None (default) 1 x Nickel Plated Brass |
| Duty label / | 1 | No Duty label, no Equip. tag |
| Equipment tag: [s]: | 2 | Duty label Stainless Steel |
| | 3 | Duty label St/St + Equip. tag |
| | 6 | Equip. tag only |
| | 7 | Special label requirement |
| Version: [v] | A1 | UL |
| Enclosure colour: R | | Red |
| [x] | | |
| Full code: | D1XCP1PSDDX1A1R | |